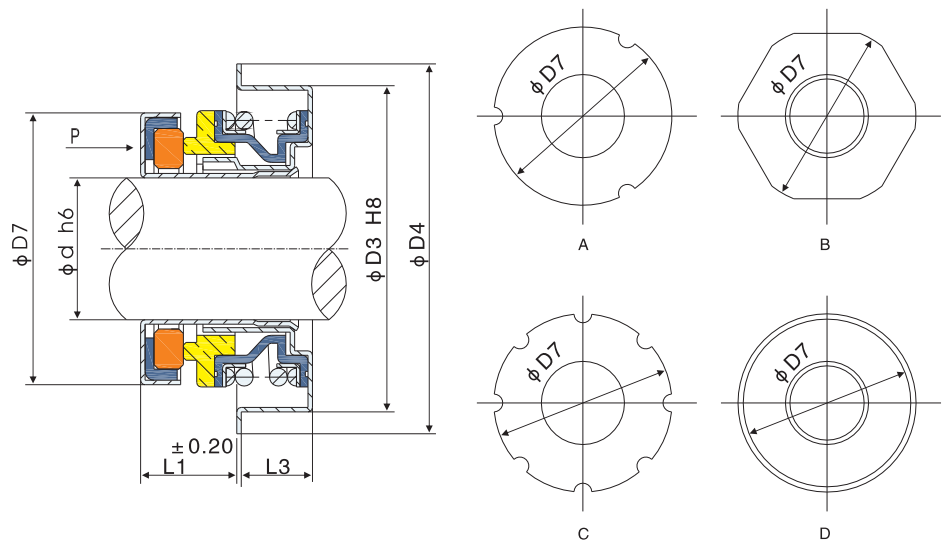


HM- FB(INCH)



技术参数

- ▶ 压力: $\leq 0.6\text{MPa}$
- ▶ 线速度: $\leq 15\text{米/秒}$
- ▶ 温度: $-30^{\circ}\text{C} \sim +200^{\circ}\text{C}$
- ▶ operating Limits
- ▶ Pressure: $\leq 0.6\text{MPa}$
- ▶ Speed: $\leq 15\text{ m/s}$
- ▶ Temperature: $-30^{\circ}\text{C} \sim +200^{\circ}\text{C}$



Model	d	D3	D4	D7	L1	L3
HM FB-16 E	16	36.45	41.5	28.0	11.5	8.5
HM Model	d(inches)	D3	D4	D7	L1	L3
HM FB-1/2"S	12.700	28.55	32.0	25.0	9.1	8.0
HM FB-1/2"M	12.700	30.00	35.0	25.0	9.1	8.0
HM FB-5/8"	15.875	36.45	41.5	30.5	11.5	8.5
HM FB-5/8"A	15.875	36.45	41.5	29.0	11.0	8.5
HM FB-5/8"B	15.875	36.45	41.8	28.0	12.0	8.5
HM FB-3/4"	19.050	40.00	43.8	37.0	11.9	9.5
HM FB-3/4"B	19.050	40.00	43.8	35.8	12.3	9.2
HM FB-3/4"C	19.050	40.00	43.8	34.0	12.3	9.2
HM FB-3/4"D	19.050	40.00	44.0	36.5	10.4	8.6