

Cartridge Mechanical Seals

... HMCARTEX-SN

● Operational Conditions:

Temperature: -20℃ to +130℃

Pressure: ≤ 2.0MPa

Speed: ≤ 15m/s

● Materials:

Stationary Ring: Q2, Q1, U1, U2, B, A

Rotary Ring: Q1, Q2, U1, U2

Secondary Seal: P, E, V, K

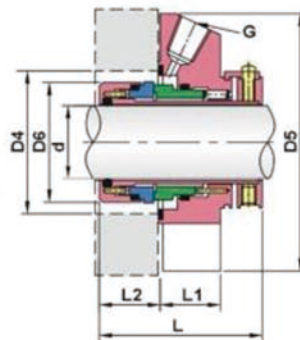
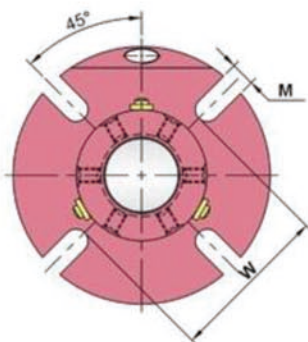
Spring and Metal parts: G, M

● Seat Types:

Standard: GWBP

Alternative: GWBO

● Applications: Petroleum, chemical, oil refining fields.



规格/Size (公制/Metric)	d h7	D6	D4		D5	L	L2	L1	W	M	G
			MIN	MAX							
25	25	43.0	44.0	51.5	105	67	24.6	25.4	62	13.2	1/4"
28	28	46.0	47.0	52.0	105	67	24.6	25.4	62	13.2	1/4"
30	30	48.0	49.0	56.0	105	67	24.6	25.4	65	13.2	1/4"
32	32	49.8	51.0	57.0	108	67	24.6	25.4	67	13.2	1/4"
33	33	49.8	51.0	57.0	108	67	24.6	25.4	67	13.2	1/4"
35	35	53.0	54.0	61.5	113	67	24.6	25.4	70	13.2	1/4"
38	38	56.0	57.0	66.0	123	67	24.6	25.4	75	13.2	1/4"
40	40	58.0	59.0	68.0	123	67	24.6	25.4	75	14.2	3/8"
42	42	60.5	61.5	69.5	133	67	24.6	25.4	80	14.2	3/8"
43	43	60.5	61.5	70.5	133	67	24.6	25.4	80	14.2	3/8"
45	45	62.5	64.0	73.0	138	67	24.6	25.4	81	14.2	3/8"
48	48	65.6	67.0	75.0	138	67	24.6	25.4	84	14.2	3/8"
50	50	68.0	69.0	78.0	148	67	24.6	25.4	87	14.2	3/8"
53	53	72.0	73.0	87.0	148	67	24.6	25.4	97	18.0	3/8"
55	55	73.0	74.0	83.0	148	67	24.6	25.4	90	18.0	3/8"
60	60	78.0	79.0	91.0	157	67	24.6	25.4	102	18.0	3/8"
65	65	84.8	85.7	98.5	163	67	24.6	25.4	109	18.0	3/8"
70	70	93.0	95.0	108.0	178	67	24.6	25.4	118	18.0	3/8"
75	75	100.0	101.6	118.0	190	84	26.6	28.0	129	18.0	3/8"
80	80	106.4	108.0	124.0	195	84	26.6	28.0	135	18.0	3/8"
85	85	109.5	111.1	128.0	198	84	26.6	28.0	139	22.0	3/8"
90	90	115.9	117.5	135.0	205	84	26.6	28.0	145	22.0	3/8"
95	95	119.1	120.7	138.0	208	84	26.6	28.0	148	22.0	3/8"
100	100	125.4	127.0	144.0	218	84	26.6	28.0	154	22.0	3/8"