



HM2100/2100 K /2100N

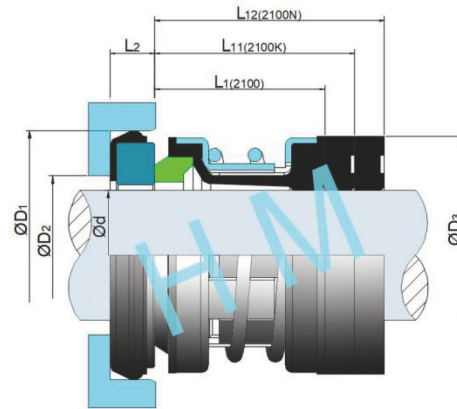
Type: Elastomeric bellows mechanical seal
 Replacement: AES B05 , VuIcan 14 DIN , Crane 2100,
 Flowserve140

Temperature: -20°C to +120°C

Pressure: ≤1.8Mpa

Speed: ≤15m/s

Material: Q2.U2,B,V1,P,E,V,F,G



d (mm)	D1	D2	D3	L1	L11	L12	L2	Size (Inch)	d	D3	L1
10	21	15	20	15	27.5	35.0	5.0	0.375	9.5	20	15
12	23	17	22	15	26.5	34.0	6.0	0.500	12.7	24	15
14	25	19	24	15	29.0	34.0	6.0	0.625	15.8	26	15
15	26	20	25	15	29.0	34.0	6.0	0.750	19.0	32	20
16	27	23	26	15	29.0	34.0	6.0	0.875	22.2	36	20
18	33	25	32	20	31.5	39.0	6.0	1.000	25.4	38	20
20	35	27	34	20	31.5	39.0	6.0	1.125	28.5	42	26
22	37	29	36	20	31.5	39.0	6.0	1.250	31.7	46	26
24	39	31	38	20	34.0	44.0	6.0	1.375	34.9	49	26
25	40	32	39	20	34.0	44.0	6.0	1.500	38.1	54	30
28	43	35	42	26	36.5	44.0	6.0	1.625	41.2	56	30
30	45	37	44	26	35.5	43.0	7.0	1.750	44.4	61	30
32	48	40	46	26	35.5	48.0	7.0	1.875	47.6	64	30
33	48	40	47	26	35.5	48.0	7.0	2.000	50.8	66	30
35	50	42	49	26	34.5	47.0	8.0	2.125	53.9	69	30
38	56	47	54	30	37.0	47.0	8.0	2.250	57.1	77	33
40	58	49	56	30	37.0	47.0	8.0	2.375	60.3	80	33
43	61	52	59	30	37.0	52.0	8.0	2.500	63.5	83	33
45	63	54	61	30	37.0	52.0	8.0	2.625	66.6	88	33
48	66	57	64	30	35.0	50.0	10.0	2.750	69.8	89	33
50	70	60	66	30	37.5	50.0	10.0	2.875	73.0	96	33
53	73	63	69	30	37.5	60.0	10.0	3.000	76.2	99	40
55	75	65	71	30	37.5	60.0	10.0	3.125	79.3	103	40
58	78	68	78	33	42.5	60.0	10.0	3.250	82.5	104	40
60	80	70	80	33	40.5	58.0	12.0	3.375	85.7	108	40
63	83	73	83	33	40.5	58.0	12.0	3.500	88.9	112	40
65	85	75	85	33	40.5	68.0	12.0	3.625	92.0	114	40
68	90	79	88	33	40.5	68.0	12.0	3.750	95.2	118	40
70	92	81	90	33	48.0	68.0	12.0	3.875	98.4	122	40
75	97	86	99	40	48.0	68.0	12.0	4.000	101.6	124	40
80	105	92	104	40	47.5	77.5	12.5				
85	110	97	109	40	47.5	77.5	12.5				
90	115	102	114	40	52.5	77.5	12.5				
95	120	117	119	40	52.5	77.5	12.5				
100	125	122	124	40	52.5	77.5	12.5				