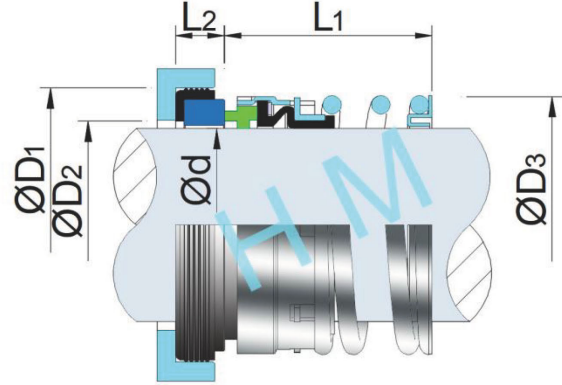


HM1



Pressure : $\leq 1.4\text{Mpa}$
 Speed: $\leq 18\text{m/s}$
 Material : V,Q1,Q2,U2,U1,
 B,A,P,E,V,F,G

Type: Elastomeric bellow mechanical seal
 Replacement: AES P05U , Vulcan A5 , Burgmann
 MG901/D1-G55 , Crane1(US),
 Flowserve5 1
 Temperature: -20°C to $+120^{\circ}\text{C}$



Size (Inch)	Size (mm)	D1	D2	D3	L1	L2
0.500	12	25.40	19.05	23.80	30.16	7.93
	14	31.75	23.80	27.76	33.32	10.28
0.625	16	31.75	23.80	27.76	33.32	10.28
0.750	18	34.93	26.98	30.94	33.32	10.28
	20	38.10	30.15	34.11	34.93	10.28
0.875	22	38.10	30.15	34.11	34.93	10.28
	24	41.28	33.32	38.10	39.67	11.10
1.000	25	41.28	33.32	38.10	39.67	11.10
1.125	28	44.44	36.50	41.28	41.28	11.10
	30	47.63	37.90	46.02	41.28	11.10
1.250	32	47.63	37.90	46.02	41.28	11.10
	33	50.80	42.84	48.68	42.85	11.00
1.375	35	50.80	42.84	48.68	42.85	11.00
1.500	38	53.98	46.05	51.85	42.85	11.00
1.625	40	60.38	50.80	58.10	50.80	12.70
	43	63.50	53.97	61.27	50.80	12.70
1.750	45	63.50	53.97	61.27	50.80	12.70
1.875	48	66.68	57.15	64.44	53.98	12.70
	48	69.85	60.32	67.21	53.98	12.70
2.000	50	69.85	60.32	67.21	53.98	12.70
2.125	53	76.20	60.32	72.02	60.33	14.28
2.250	55	79.38	61.90	75.30	60.33	14.28
2.375	60	82.55	67.39	78.30	63.50	14.28
2.500	63	85.73	68.25	81.54	63.50	14.28
2.625	65	85.73	71.24	86.22	69.85	15.90
2.750	70	88.90	74.60	89.40	73.03	15.90
2.875	73	95.25	77.77	92.57	73.03	15.90
3.000	75	98.43	80.95	95.75	73.03	15.90