

HM24



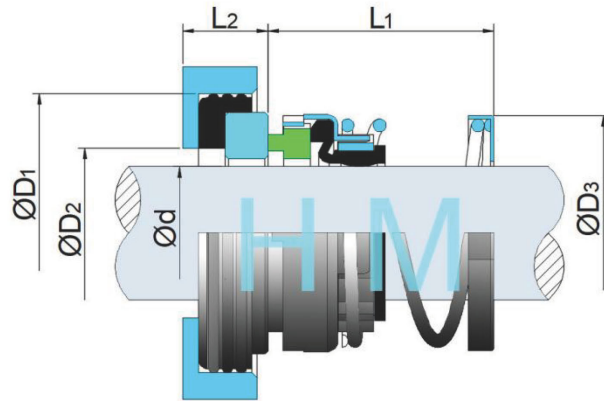
Type : Elastomeric bellow mechanical seal
 Replacement: Vulcan 24 , AES P03 , Crane 521 ,
 Burgmann MG912/D1-G60 , Roten
 52/L4K , Flowserve 240

Temperature: -20°C to +120°C

Pressure : ≤1.0Mpa

Speed: ≤15m/s

Material : V,Q1,Q2,U2,U1,B,A,P,E,V,F,G



hengmi@meseal.com

| d (mm) | D1 | D2 | D3 | L1 | L2 |
|------------|-----|-----|--------|------|------|
| 10 | 21 | 17 | 20.05 | 23.9 | 8.6 |
| 12 | 23 | 19 | 21.70 | 23.9 | 8.6 |
| 14 | 25 | 21 | 24.00 | 26.4 | 8.6 |
| 16 | 27 | 23 | 26.65 | 26.4 | 8.6 |
| 18 | 33 | 27 | 30.35 | 27.5 | 10.0 |
| 20 | 35 | 29 | 33.50 | 27.5 | 10.0 |
| 22 | 37 | 31 | 33.55 | 27.5 | 10.0 |
| 24 | 39 | 33 | 38.00 | 30.0 | 10.0 |
| 25 | 40 | 34 | 39.50 | 30.0 | 10.0 |
| 28 | 43 | 37 | 42.20 | 32.5 | 10.0 |
| 30 | 45 | 39 | 43.95 | 32.5 | 10.0 |
| 32 | 48 | 42 | 46.00 | 32.5 | 10.0 |
| 33 | 48 | 42 | 46.00 | 32.5 | 10.0 |
| 35 | 50 | 44 | 49.10 | 32.5 | 10.0 |
| 38 | 56 | 49 | 53.00 | 34.0 | 11.0 |
| 40 | 58 | 51 | 56.00 | 34.0 | 11.0 |
| 43 | 61 | 54 | 58.80 | 34.0 | 11.0 |
| 45 | 63 | 56 | 61.20 | 34.0 | 11.0 |
| 48 | 66 | 59 | 64.00 | 34.0 | 11.0 |
| 50 | 70 | 62 | 66.00 | 34.5 | 13.0 |
| 53 | 73 | 65 | 70.65 | 34.5 | 13.0 |
| 55 | 75 | 67 | 71.65 | 34.5 | 13.0 |
| 58 | 78 | 70 | 79.60 | 39.5 | 13.0 |
| 60 | 80 | 72 | 80.40 | 39.5 | 13.0 |
| 63 | 83 | 75 | 81.50 | 39.5 | 13.0 |
| 65 | 85 | 77 | 84.30 | 39.5 | 13.0 |
| 68 | 90 | 81 | 89.65 | 37.2 | 15.3 |
| 70 | 92 | 83 | 89.65 | 44.7 | 15.3 |
| 75 | 97 | 88 | 96.80 | 44.7 | 15.3 |
| 80 | 105 | 95 | 104.00 | 44.3 | 15.7 |
| 85 | 110 | 100 | 107.95 | 44.3 | 15.7 |
| 90 | 115 | 105 | 111.10 | 49.3 | 15.7 |
| 95 | 120 | 110 | 119.00 | 49.3 | 15.7 |
| 100 | 125 | 115 | 124.00 | 49.3 | 15.7 |