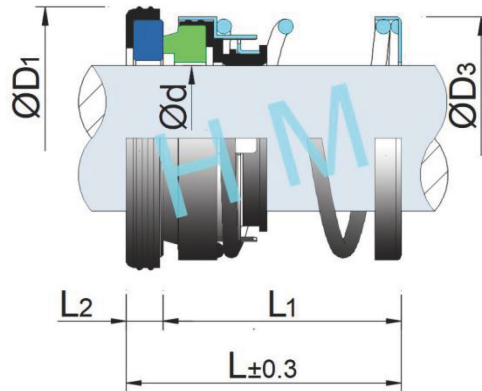


HM108

Type: Elastomer Bellow Mechanical Seal
 Temperature: -20 to +120°C
 Pressure : $\leq 1\text{Mpa}$
 Speed: $\leq 15\text{m/s}$
 Material : B,Q2,U2,P,E,N,V,F,G,Alfa



hengmi@mesel.com

d (mm)	D1	D3	L	L1	L2
8	21	15.8	19	13.5	5.5
9	21	20.0	20	15.0	5.0
10	21	20.0	20	15.0	5.0
11	23	20.0	20	15.0	5.0
12	23	22.0	20	15.0	5.0
14	25	24.5	25	20.0	5.0
15	27	26.5	25	20.0	5.0
16	27	26.5	25	20.0	5.0
17	33	32.0	25	20.0	5.0
17T	28	27.0	25	19.5	5.5
18	33	32.0	25	20.0	5.0
19	35	34.0	25	20.0	5.0
20	35	34.0	25	20.0	5.0
22	37	37.0	28	22.0	6.0
22T	36	35.0	25	20.0	5.0
24	40	39.0	32	24.0	8.0
25	40	39.0	32	27.0	8.0
28	43	42.0	35	27.0	7.5
30	45	45.0	35	27.0	7.5
35	50	49.0	37	29.0	8.0
40	58	57.5	40	31.5	9.0
45	63	62.5	40	31.5	8.5
50	70	71.0	45	35.5	9.5
55	75	75.5	45	35.5	9.5