

# HM150



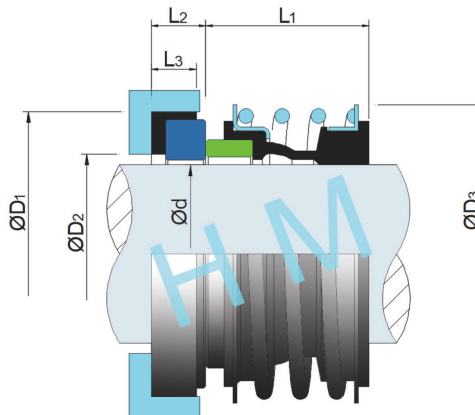
Type: Elastomeric bellows mechanical seal  
 Replacement: Vu1can1520(Metric) , AES BP02,  
 BURGMANN MG1S20 , Crane 2(N  
 Seat) , Flowserve150

Temperature : -40°C to +150°C

Pressure : ≤1.2Mpa

Speed: ≤15 m/s

Material: V,Q1,Q2,U2,U1,B,A,P,E,V,F,G



[hengmi@meseal.com](mailto:hengmi@meseal.com)

d ( mm)	D1	D2	D3	L1	L2	L3
10	24.60	16.00	20	25.40	8.74	7.47
12	27.79	19.05	22	25.40	8.74	7.47
13	27.79	19.05	22	25.40	8.74	7.47
14	30.95	22.23	24	25.40	10.32	8.97
15	30.95	22.23	25	25.40	10.32	8.97
16	30.95	22.23	26	25.40	10.32	8.97
18	34.15	25.40	32	25.40	10.32	8.97
19	34.15	25.40	32	25.40	10.32	8.97
20	35.70	26.99	34	25.40	10.32	8.97
22	37.30	28.58	36	25.40	10.32	8.97
24	40.50	31.75	38	25.40	10.32	8.97
25	40.50	31.75	39	25.40	10.32	8.97
28	47.63	35.72	42	33.34	11.99	10.46
30	50.80	38.89	44	33.34	11.99	10.46
32	50.80	38.89	46	33.34	11.99	10.46
33	53.98	42.07	47	33.34	11.99	10.46
34	53.98	42.07	49	33.34	11.99	10.46
35	53.98	42.07	49	33.34	11.99	10.46
38	57.15	45.24	54	33.34	11.99	10.46
40	60.35	48.82	56	33.34	11.99	10.46
42	63.50	51.59	59	40.48	11.99	10.46
43	63.50	51.59	59	40.48	11.99	10.46
44	63.50	51.59	61	40.48	11.99	10.46
45	63.50	51.59	61	40.48	11.99	10.46
48	66.70	54.75	64	40.48	11.99	10.46
50	69.85	58.00	66	40.48	11.99	10.46
53	73.05	62.00	69	41.00	13.50	10.46
55	76.20	65.00	71	41.00	13.50	11.96
58	79.40	68.00	78	41.00	13.50	11.96
60	79.40	68.00	80	41.00	13.50	11.96
63	82.55	71.20	83	41.00	13.50	11.96
65	92.10	78.35	85	49.00	15.90	14.50
70	95.25	81.10	90	49.00	15.90	14.50
73	98.45	84.50	96	49.00	15.90	14.50
75	101.65	88.10	99	49.00	15.90	14.50
80	114.30	97.00	104	56.00	20.00	18.50
85	117.50	100.00	109	56.00	20.00	18.50
90	123.85	107.00	114	59.00	20.00	18.50
95	127.00	110.00	119	59.00	20.00	18.50
100	133.35	116.00	124	62.00	20.00	18.50