

# HM151/152



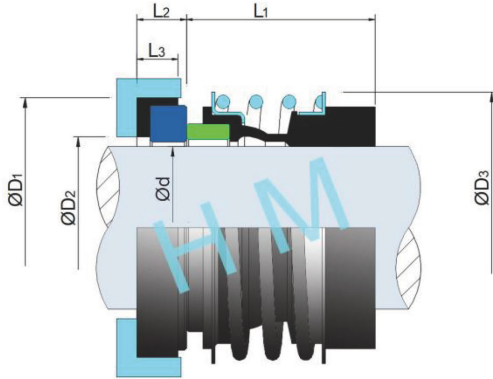
Type: Elastomeric bellows mechanical seal  
 Replacement: Vu1can 1511/1522 , AES BP04/BP05,  
 Crane 21/1(N Seat) , Flowserve151/152  
 Temperature: -40°C to +150°C

Pressure:  $\leq 1.2\text{Mpa}$

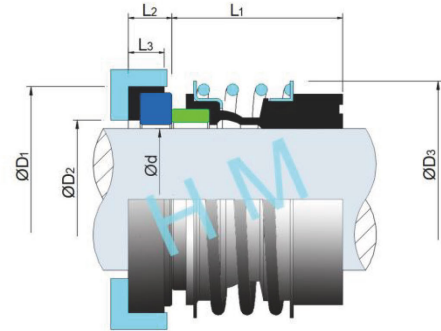
Speed:  $\leq 15\text{m/s}$

Material: V, Q1, Q2, U2, U1, B, A, P, E, V, F, G

HM151



HM152



d (Inch)	d (mm)	D1	D2	D3	L1	L11	L2	L3
0.500	12	25.40	19.05	22	20.62	31.75	7.93	6.35
-	14	31.75	23.80	24	22.22	34.93	10.28	8.71
0.625	16	31.75	23.80	26	22.22	34.93	10.28	8.71
0.750	18	34.93	26.98	32	22.22	34.93	10.28	8.71
-	20	38.10	30.15	34	23.80	36.50	10.28	8.71
0.875	22	38.10	30.15	36	23.80	36.50	10.28	8.71
-	24	41.28	33.32	38	25.40	41.28	11.10	9.53
1.000	25	41.28	33.32	39	25.40	41.28	11.10	9.53
1.125	28	44.44	36.50	42	26.97	42.85	11.10	9.53
-	30	47.63	37.90	44	26.97	42.85	11.10	9.53
1.250	32	47.63	37.90	46	26.97	42.85	11.10	9.53
-	33	50.80	42.84	47	28.58	42.85	11.10	9.53
1.375	35	50.80	42.84	49	28.58	42.85	11.10	9.53
1.500	38	53.98	46.05	54	28.58	42.85	11.10	9.53
1.625	40	60.33	50.80	56	34.93	50.80	12.70	11.10
-	43	63.50	53.97	59	34.93	50.80	12.70	11.10
1.750	44	63.50	53.97	61	34.93	50.80	12.70	11.10
1.875	45	66.68	57.15	61	38.10	53.98	12.70	11.10
-	48	69.85	60.32	64	38.10	53.98	12.70	11.10
2.000	50	69.85	60.32	66	38.10	53.98	12.70	11.10
2.125	53	76.20	60.32	69	42.88	60.32	14.28	12.70
2.250	55	79.38	61.90	78	42.88	60.32	14.28	12.70
-	58	82.55	67.39	78	46.02	63.50	14.28	14.70
2.375	60	82.55	67.39	80	46.02	63.50	14.28	12.70
2.500	63	85.73	68.25	83	46.02	63.50	14.28	12.70
2.625	65	85.73	71.24	85	49.20	69.85	15.90	14.50
-	68	88.90	74.60	88	49.20	69.85	15.90	14.50
2.750	70	88.90	74.60	90	49.20	69.85	15.90	14.50
2.875	73	95.25	77.77	96	52.37	73.03	15.90	14.50
3.000	75	98.43	80.95	99	52.37	73.03	15.90	14.50