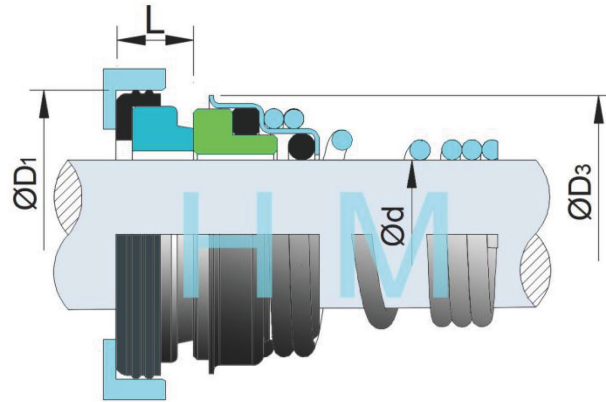


HM155D

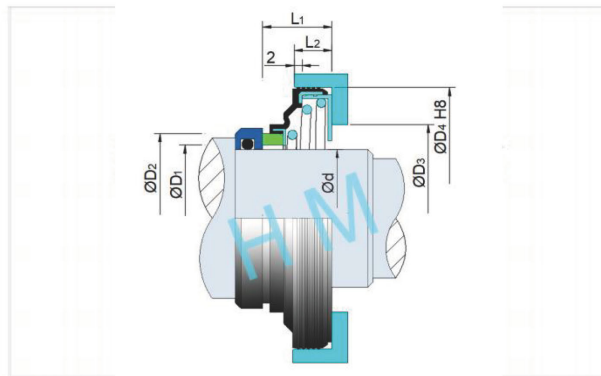
Type : Elastomer bellow seal,Suit for MONO Pump
 Replacement: AES T04-MONO
 Temperature : -20°C to +150°C
 Pressure : ≤1 Mpa
 Speed : ≤15 m/s
 Material : Q2,U2,B,V,P,E,V,F,G



d (mm)	D1	D3	L1	L
19.1	38	32.7	25	8

HMAX5

Type : O-ring Mechanical Seals
 Replacement: Burgmann AX5
 Temperature : -20°C to +200°C
 Pressure : ≤0.8Mpa
 Speed : ≤10m/s
 Material : Q1,Q2,A,B,U1,U2,PE,V,T,F,G,T2,M5



d (mm)	D1	D2	D3	D4	L1	L2
20	22	27.0	28	42	18	12
25	27	32.0	32	52	12	8
30	32	37.0	37	57	12	8
35	37	42.0	42	62	12	8
40	42	47.5	47	68	12	10
45	47	53.0	52	75	13	10
50	52	58.0	57	80	13	10
55	57	65.0	62	90	14	12
65	67	75.0	72	100	16	10