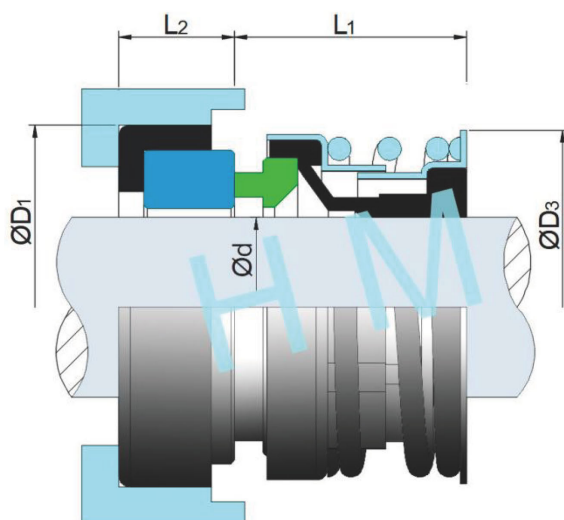


# HM6(16)



Type: Elastomeric bellow mechanical seal  
 Replacement: Burgmann BT-PNT, Flowserve 16  
 Temperature: -20°C to +120°C  
 Pressure:  $\leq 0.5-10\text{Mpa}$   
 Speed:  $\leq 10\text{m/s}$   
 Material: V, Q1, Q2, U2, U1, B, A, P, E, V, F, G



Size (Inch)	d	D3	D1	L1	L2
0.375	9.50	23.29	22.23	16.66	7.14
0.500	12.70	23.29	25.40	16.66	6.35
0.625	15.80	30.10	31.75	18.24	10.31
0.750	19.00	33.07	34.93	18.24	10.31
0.875	22.20	36.30	38.10	20.63	10.31
1.000	25.40	39.42	41.28	20.63	11.10