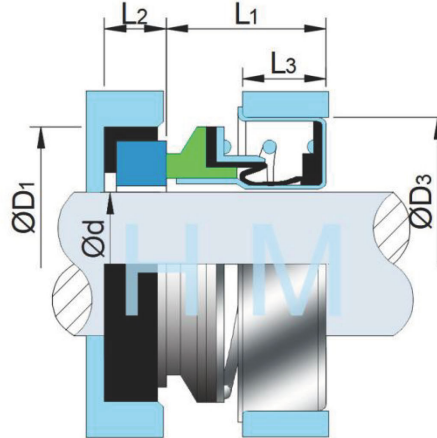


# HM70V/75V(70/75)



Type: Elastoer Bellow Mechanical Seal  
 Replacement: Burgmann BT-A2, Vulcan 70/75, AES  
 B03/B03U, Roten 68, Crane 6A, Flowserve  
 170  
 Temperature: -20 to +150°C  
 Pressure: ≤1.4Mpa  
 Speed: ≤10m/s  
 Material: B, Q2, U2, P, E, N, V, F, G, Alfa



hengmi@meseal.com

Code	d (mm)	D1	D3	L1	L2	L3
70V	13.0	25.0	28.5	13.2	5.0	8.0
75V	13.0	25.4	28.5	13.8	7.9	8.0
70V	17.0	31.0	36.4	14.8	5.0	8.0
70V	17.0(B)	27.4	36.4	14.8	5.3	8.0
75V	17.0	31.7	36.4	15.4	10.3	8.0
70V	20.0	35.0	40.0	15.5	5.0	9.5
70V	20.0(B)	39.0	40.0	15.5	5.0	9.5
75V	20.0	34.9	40.0	15.4	10.3	9.5
70V	30.0	48.0	52.0	19.0	8.0	11.0

Code	d (inch)	D1	D3	L1	L2	L3
70V	0.500	0.985	1.125	0.52	0.197	0.315
75V	0.500	1.000	1.125	0.543	0.312	0.315
70V	0.625	1.220	1.435	0.583	0.197	0.315
70V	0.625	1.078	1.435	0.583	0.208	0.315
75V	0.625	1.250	1.435	0.605	0.406	0.315
70V	0.750	1.378	1.575	0.610	0.197	0.374
70V	0.750	1.535	1.575	0.610	0.197	0.374
75V	0.750	1.375	1.575	0.605	0.406	0.374
70V	1.125	1.890	2.047	0.748	0.315	0.433