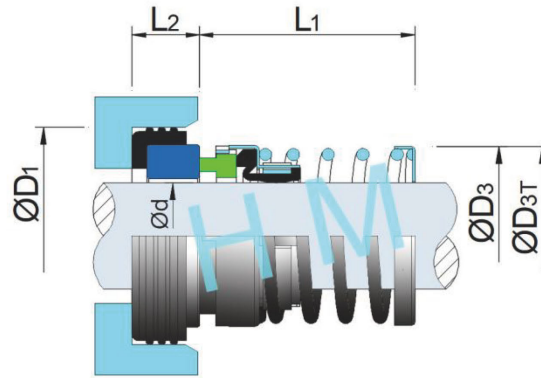


# HM22/22T

Type: Elastomeric Bellow Seal, Suit for Godwin CD/HL Pumps  
 Replacement: AES P05/P05T, Vulcan 22, Crane 1(N Seat), Flowserve 220, Roten 51A



Type: Elastomeric Bellow Seal, Suit for Godwin CD/HL Pumps  
 Replacement: AES P05/P05T, Vulcan22, Crane 1(N Seat), Flowserve 220, Roten 51A  
 Temperature: -20 to +180°C  
 Pressure: ≤0.8Mpa  
 Speed: ≤5m/s  
 Material: B,Q2,U2,PE,N,V,F,G,Alfa



d		D1		D3 (HM20)		D3T (HM22T)		L1		L2	
mm	inch	mm	inch	mm	inch	mm	inch	mm	inch	mm	inch
12.7	0.500	25.4	1.000	24.0	0.945	22.8	0.897	31.7	1.250	7.9	0.312
15.8	0.625	31.7	1.250	26.7	1.053	26.7	1.053	34.9	1.375	10.3	0.405
19.1	0.750	34.9	1.375	31.2	1.230	30.4	1.201	34.9	1.375	10.3	0.405
22.2	0.875	38.1	1.500	33.5	1.319	33.4	1.319	36.5	1.437	10.3	0.405
25.4	1.000	41.2	1.625	43.2	1.703	39.3	1.547	41.2	1.625	11.1	0.437
28.6	1.125	44.4	1.750	46.5	1.831	42.0	1.654	42.8	1.687	11.1	0.437
31.7	1.250	47.6	1.875	49.5	1.949	45.8	1.803	42.8	1.687	11.1	0.437
34.9	1.375	50.8	2.000	52.7	2.077	49.3	1.941	42.8	1.687	11.1	0.437
38.1	1.500	53.9	2.125	56.0	2.205	52.8	2.078	42.8	1.687	11.1	0.437
41.2	1.625	60.3	2.375	62.2	2.451	55.5	2.185	50.8	2.000	12.7	0.500
44.4	1.750	63.5	2.500	66.0	2.598	61.0	2.402	50.8	2.000	12.7	0.500
47.6	1.875	66.6	2.625	66.0	2.598	64.0	2.520	53.9	2.125	12.7	0.500
50.8	2.000	69.8	2.750	73.0	2.874	66.0	2.598	53.9	2.125	12.7	0.500
53.9	2.125	76.2	3.000	73.5	2.894	71.5	2.814	60.3	2.375	14.2	0.562
57.1	2.250	79.3	3.125	79.6	3.134	79.6	3.134	60.3	2.375	14.2	0.562
60.3	2.375	82.5	3.250	82.0	3.228	79.6	3.133	63.5	2.500	14.2	0.562
63.5	2.500	85.7	3.375	85.0	3.346	81.5	3.209	63.5	2.500	14.2	0.562
66.6	2.625	85.7	3.375	88.5	3.484	84.6	3.331	69.8	2.750	15.9	0.625
69.8	2.750	88.9	3.500	92.7	3.652	90.0	3.543	69.8	2.750	15.9	0.625
73.0	2.875	95.2	3.750	95.0	3.740	92.0	3.622	73.0	2.875	15.9	0.625
76.2	3.000	98.4	3.875	102.0	4.016	96.8	3.811	73.0	2.875	15.9	0.625