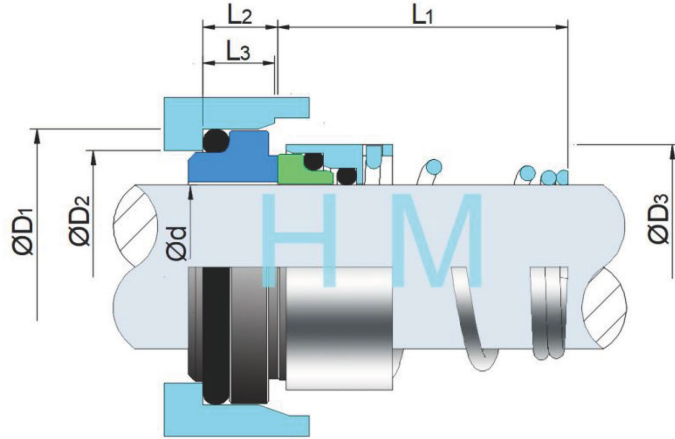


HM7D

Type: O-Ring Mechanical Seal
 Replacement: Vulcan 7D
 Temperature: -30°C to +200°C
 Pressure: ≤0.8Mpa
 Speed: ≤18m/s
 Material: Q2.U2,B,V1,P,E,V,F,G



hengmi@mesel.com

d (mm)	D1	D2	D3	L1	L2	L3
10	21	17	19.0	15	7	4
12	23	19	21.0	18	7	4
14	25	21	23.0	22	7	4
16	27	23	26.0	23	7	4
18	33	27	29.0	24	10	5
20	35	29	31.0	25	10	5
22	37	31	33.0	25	10	5
24	39	33	35.0	27	10	5
25	40	34	36.0	27	10	5
28	43	37	40.0	29	10	5
30	45	39	43.0	30	10	5
32	48	42	46.0	30	10	5
33	48	42	46.0	39	10	5
35	50	44	49.0	39	10	5
38	56	49	53.0	42	13	6
40	58	51	56.0	42	13	6
43	61	54	59.0	47	13	6
45	63	56	61.0	47	13	6
48	66	59	64.0	47	13	6
50	70	62	66.0	46	14	6
53	73	65	69.0	56	14	6
55	75	67	71.0	56	14	6
58	78	70	76.0	56	14	6
60	80	72	78.0	56	14	6
63	83	75	81.0	56	14	6
65	85	77	84.0	66	14	6
68	90	81	88.0	64	16	7
70	92	83	89.6	64	16	7
75	97	88	98.0	64	16	7
80	105	95	100.0	72	18	7
85	110	100	107.5	72	18	7
90	115	105	111.0	72	18	7
95	120	110	119.0	72	18	7
100	125	115	123.8	72	18	7