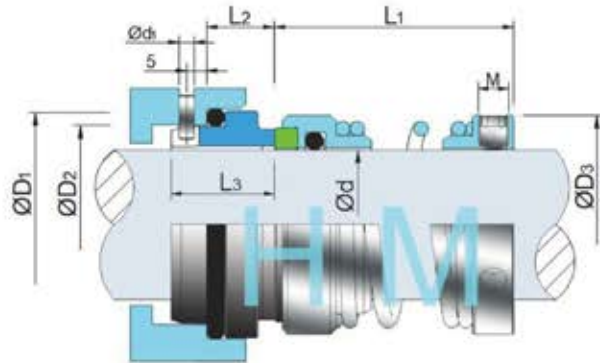


# HM1527



Type: O-Ring Mechanical Seal  
 Replacement: Engle 1527  
 Temperature: -20°C to +180°C  
 Pressure: ≤1Mpa  
 Speed: ≤15m/s  
 Material: Q2,U2,B,V1,P,E,V,F,G

 [hengmi@meseal.com](mailto:hengmi@meseal.com)



d (mm)	D3	D2	D1	d1	L1	L2	L3
18	32	27	33	3	35.0	10.0	17.0
20	34	29	35	3	35.0	10.0	17.0
22	36	31	37	3	35.0	10.0	17.0
24	38	33	39	3	40.0	10.0	17.0
25	39	34	40	3	40.0	10.0	17.0
28	42	37	43	3	40.0	10.0	17.0
30	44	39	45	3	40.0	10.0	17.0
32	46	42	48	3	45.0	10.0	17.0
33	47	42	48	3	45.0	10.0	17.0
35	49	44	50	3	45.0	10.0	17.0
38	54	49	56	4	44.0	11.0	18.0
40	56	51	58	4	44.0	11.0	18.0
43	59	54	61	4	49.0	11.0	18.0
45	61	56	63	4	49.0	11.0	18.0
48	64	59	66	4	49.0	11.0	18.0
50	66	62	68	4	47.0	13.0	20.0
53	69	65	70	4	57.0	13.0	20.0
55	71	67	75	4	57.0	13.0	20.0
58	78	70	78	4	57.0	13.0	20.0
60	80	72	80	4	57.0	13.0	20.0
63	83	75	83	4	57.0	13.0	20.0
65	85	77	85	4	67.0	13.0	20.0
68	88	81	90	4	64.7	15.3	22.0
70	90	83	92	4	64.7	15.3	22.0
75	99	88	97	4	64.7	15.3	22.0
80	104	95	105	4	74.3	15.7	22.5
85	109	100	110	4	74.3	15.7	22.5
90	114	105	115	4	74.3	15.7	22.5
95	119	110	120	4	74.3	15.7	22.5
100	124	115	125	4	74.3	15.7	22.5