

HM104U/104B

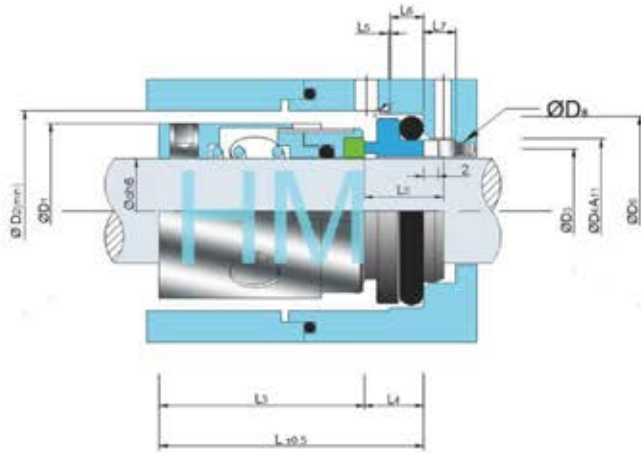
Type: O-Rng Mechanical Seal

Temperature: -20 to +200°C

Pressure: $\leq 0.8\text{Mpa}$

Speed: $\leq 13\text{m/s}$

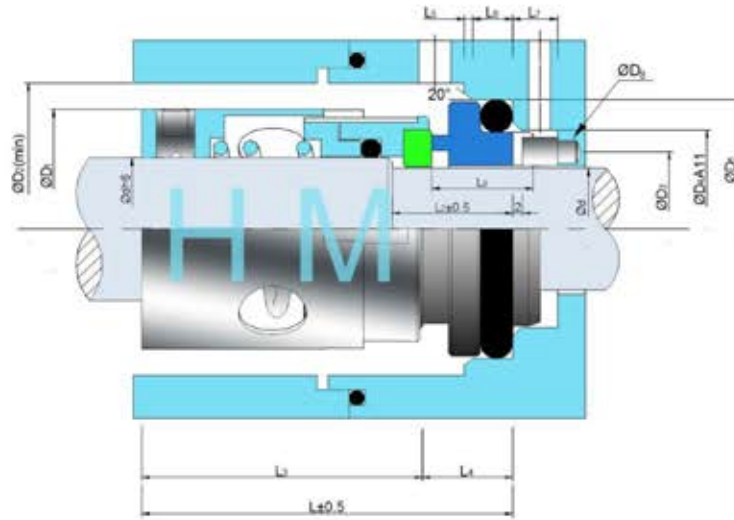
Material: B,Q2,U2,P,E,N,V,F,G,Alfa



HM104U

d (mm)	D1	D2	D3	D4	D5	D8	L	L3	L4	L5	L6	L7	L8
16	33	36	21	25	33	2	49	37	12	1.5	5.5	7	16
18	35	38	23	28	36	2	52	40	12	1.5	5.5	7	16
20	37	40	25	30	40	3	54	40	14	2.0	6.5	8	19
22	39	42	27	32	42	3	57	43	14	2.0	6.5	8	19
25	42	45	30	35	45	3	57	43	14	2.0	6.5	8	19
28	45	48	33	38	48	3	58	44	14	2.0	6.5	8	19
30	52	55	35	40	50	3	63	49	14	2.0	6.5	8	19
35	57	60	40	45	55	3	65	51	14	2.0	6.5	8	19
40	62	65	45	50	60	3	68	54	14	2.0	6.5	8	19
45	67	70	50	55	65	3	74	60	14	2.0	6.5	8	19
50	72	75	55	60	70	3	77	63	14	2.5	6.5	8	19
55	77	80	60	65	75	3	79	65	14	2.5	6.5	8	19
60	82	85	65	70	80	3	79	65	14	2.5	6.5	8	19
65	92	95	73	80	90	3	91	74	17	2.5	6.5	8	22
70	97	100	78	85	97	3	95	76	19	2.5	7.5	9	25
75	102	105	83	90	102	3	95	76	19	2.5	7.5	9	25
80	107	110	88	95	107	3	100	81	19	3.0	7.5	9	25
85	112	115	93	100	112	3	101	82	19	3.0	7.5	9	25
90	117	120	98	105	117	3	102	83	19	3.0	7.5	9	25
95	122	125	103	110	122	3	102	83	19	3.0	7.5	9	25
100	127	130	108	115	127	3	102	83	19	3.0	7.5	9	25
110	141	145	120	130	142	3	126	105	21	3.0	8.0	9	27
120	151	155	130	140	152	3	126	105	21	3.0	8.0	9	27

HM104U/104B



HM104B

d (mm)	d0	D1	D2	D3	D4	D5	D8	L	L2	L3	L4	L5	L6	L7	L8
16	11	33	36	19	25	33	2	57	20	45	12	1.5	5.5	7	16
18	13	35	38	21	28	36	2	60	20	48	12	1.5	5.5	7	16
20	15	37	40	23	30	40	3	62	22	48	14	2.0	6.5	8	19
22	17	39	42	25	32	42	3	65	22	51	14	2.0	6.5	8	19
25	20	42	45	28	35	45	3	65	22	51	14	2.0	6.5	8	19
28	22	45	48	31	38	48	3	66	22	52	14	2.0	6.5	8	19
30	25	52	55	33	40	50	3	72	23	58	14	2.0	6.5	8	19
35	28	57	60	37	45	55	3	75	24	61	14	2.0	6.5	8	19
40	34	62	65	42	50	60	3	78	24	64	14	2.0	6.5	8	19
45	38	67	70	47	55	65	3	84	24	70	14	2.0	6.5	8	19
50	44	72	75	52	60	70	3	87	24	73	14	2.5	6.5	8	19
55	48	77	80	57	65	75	3	89	24	75	14	2.5	6.5	8	19
60	52	82	85	62	70	80	3	89	24	75	14	2.5	6.5	8	19
65	58	92	95	70	80	90	3	98	27	81	17	2.5	6.5	8	22
70	62	97	100	74	85	97	3	105	32	86	19	2.5	7.5	9	25
75	66	102	105	79	90	102	3	105	32	86	19	2.5	7.5	9	25
80	72	107	110	84	95	107	3	110	32	91	19	3.0	7.5	9	25
85	76	112	115	89	100	112	3	111	32	92	19	3.0	7.5	9	25
90	82	117	120	94	105	117	3	112	32	93	19	3.0	7.5	9	25
95	85	122	125	99	110	122	3	112	32	93	19	3.0	7.5	9	25
100	90	127	130	104	115	127	3	112	32	93	19	3.0	7.5	9	25
110	100	141	145	116	130	142	3	138	36	117	21	3.0	8.0	9	27
120	110	151	155	126	140	152	3	138	36	117	21	3.0	8.0	9	27