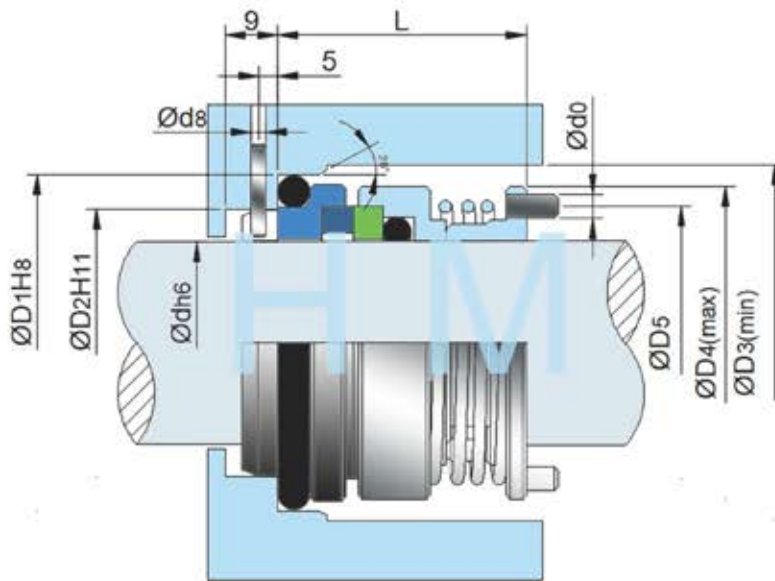


HM113



Type: O-Ring Mechanical Seal
 Temperature: -20 to +180°C
 Pressure: $\leq 1.4\text{Mpa}$
 Speed: $\leq 15\text{m/s}$
 Material: B,Q2,U2,P,E,N,V,F,G,Alfa



hengmi@meseal.com

d (mm)	d0	d8	D1	D2	D3	D4	D5	L
18	3	3	33	27	34	32	25	33
20	3	3	35	29	36	34	27	33
25	3	3	40	34	41	39	32	35
28	3	3	43	37	44	42	35	35
30	3	3	45	39	46	44	37	35
35	4	4	50	44	51	49	42	39
40	4	4	58	51	60	56	48	44
45	4	4	63	56	65	61	53	44
50	4	4	70	62	70	66	58	49
55	4	4	75	67	75	71	63	49
60	4	4	80	72	85	80	70	59
65	4	4	85	77	90	85	75	59