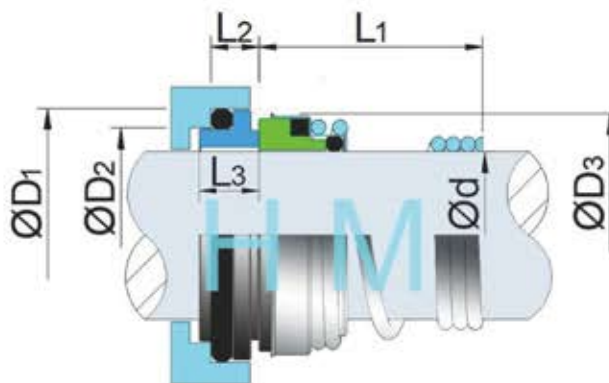


# HM155/155A

Type: O-Ring Mechanical Seal  
 Replacement: Burgmann BT-FN/BT-FN-NU, Roten3,  
 AES T04/T04D, Vulcan13,  
 Flowserve43,LATTY T901  
 Temperature: -20°C to +150°C  
 Pressure: ≤1Mpa  
 Speed: ≤15m/s  
 Material: Q2,U2,B,V1,P,E,V,F,G



 [hengmi@mes seal.com](mailto:hengmi@mes seal.com)



## HM155(AES T04)

d (mm)	D1	D3	L1	L2
10	18.1	20	15.0	5.5
11	20.6	22	18.0	5.5
12	20.6	22	18.0	5.5
13	23.1	25	22.0	6.0
14	23.1	25	22.0	6.0
14B	23.1	25	16.6	6.0
15	26.9	29	22.0	7.0
16	26.9	29	23.0	7.0
17	26.9	29	23.0	7.0
18	30.9	33	24.0	8.0
19	30.9	33	25.0	8.0
20	30.9	33	25.0	8.0
22	35.4	38	25.0	8.0
23	35.4	38	27.0	8.0
24	35.4	38	27.0	8.0
25	38.2	40	27.0	8.5
28	43.3	46	29.0	9.0
30	43.3	46	30.0	9.0
32	43.3	46	30.0	9.0
33	53.5	48	39.0	11.5
35	53.5	50	39.0	11.5
38	60.5	56	39.0	11.5
40	60.5	58	39.0	11.5

## HM155

d (inch)	D1	D3	L1	L2
0.394	0.713	0.800	0.591	0.217
0.433	0.811	0.866	0.709	0.217
0.472	0.811	0.866	0.709	0.217
0.512	0.909	0.984	0.866	0.236
0.551	0.909	0.984	0.866	0.236
0.551B	0.909	0.984	0.654	0.236
0.591	1.059	1.142	0.866	0.276
0.63	1.059	1.142	0.906	0.276
0.669	1.059	1.142	0.906	0.276
0.709	1.217	1.299	0.945	0.315
0.748	1.217	1.299	0.984	0.315
0.787	1.217	1.299	0.984	0.315
0.866	1.394	1.496	0.984	0.315
0.906	1.394	1.496	1.063	0.315
0.945	1.394	1.496	1.063	0.315
0.984	1.504	1.575	1.063	0.335
1.102	1.705	1.811	1.142	0.354
1.181	1.705	1.811	1.181	0.354
1.260	1.705	1.811	1.181	0.354
1.299	2.106	1.890	1.535	0.453
1.378	2.106	1.969	1.535	0.453
1.496	2.382	2.205	1.535	0.453
1.575	2.382	2.283	1.535	0.453

## HM155A

## HM155A(AES T04D)

d (mm)	D1	D3	L1	L2
10	21	20	15	7
12	23	22	18	7
14	25	25	22	7
16	27	29	23	7
18	33	33	24	10
20	35	33	25	10
22	37	38	25	10
24	39	38	27	10
25	40	40	27	10
28	43	46	29	10
30	45	46	30	10
32	48	46	30	10
33	48	48	39	10
35	50	50	39	10
38	56	56	42	13
40	58	58	42	13

d (inch)	D1	D3	L1	L2
0.394	0.827	0.787	0.591	0.276
0.472	0.906	0.866	0.709	0.276
0.551	0.984	0.984	0.866	0.276
0.63	1.063	1.142	0.906	0.276
0.709	1.299	1.299	0.945	0.394
0.787	1.378	1.299	0.984	0.394
0.866	1.457	1.496	0.984	0.394
0.945	1.535	1.496	1.063	0.394
0.984	1.575	1.575	1.063	0.394
1.102	1.693	1.811	1.142	0.394
1.181	1.772	1.811	1.181	0.394
1.260	1.890	1.811	1.181	0.394
1.299	1.890	1.890	1.535	0.394
1.378	1.969	1.968	1.535	0.394
1.496	2.205	2.205	1.654	0.512
1.575	2.283	2.283	1.654	0.512