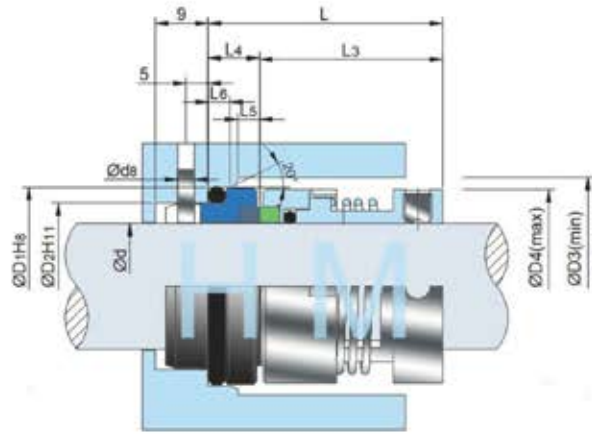


HM112

Type: O-Ring Mechanical Seal
 Temperature: -20 to +180°C
 Pressure: $\leq 1.4\text{Mpa}$
 Speed: $\leq 15\text{m/s}$
 Material: B,Q2,U2,P,E,N,V,F,G,Alfa



 hengmi@mesecal.com

d (mm)	d8	D1	D2	D3	D4	L	L3	L4	L5	L6	L10
18	3	33	27	34	32	45	35	10	2.0	5	17.5
20	3	35	29	36	34	45	35	10	2.0	5	17.5
22	3	37	31	38	36	45	35	10	2.0	5	17.5
24	3	39	33	40	38	50	40	10	2.0	5	17.5
25	3	40	34	41	39	50	40	10	2.0	5	17.5
28	3	43	37	44	42	50	40	10	2.0	5	17.5
30	3	45	39	46	44	50	40	10	2.0	5	17.5
32	3	48	42	48	46	55	45	10	2.0	5	17.5
33	3	48	42	49	47	55	45	10	2.0	5	17.5
35	3	50	44	51	49	55	45	10	2.0	5	17.5
38	3	56	49	58	54	55	42	13	2.0	6	20.0
40	4	58	51	60	56	55	42	13	2.0	6	20.0
43	4	61	54	63	59	60	47	13	2.0	6	20.0
45	4	63	56	65	61	60	47	13	2.0	6	20.0
48	4	66	59	68	64	60	47	13	2.0	6	20.0
50	4	70	62	70	66	60	46	14	2.5	6	21.0
53	4	73	65	73	69	70	56	14	2.5	6	21.0
55	4	75	67	75	71	70	56	14	2.5	6	21.0
60	4	80	72	85	80	70	56	14	2.5	6	21.0
63	4	83	75	88	83	70	56	14	2.5	6	21.0
65	4	85	77	90	85	80	66	14	2.5	6	21.0
68	4	90	81	93	88	80	64	16	2.5	7	22.0
70	4	92	83	95	90	80	64	16	2.5	7	22.0
75	4	97	88	104	99	80	64	16	2.5	7	22.0
80	4	105	96	109	104	90	72	18	3.0	7	24.5
85	4	110	100	114	109	90	72	18	3.0	7	24.5
90	4	115	105	119	114	90	72	18	3.0	7	24.5
95	4	120	110	124	119	90	72	18	3.0	7	24.5
100	4	125	115	129	124	90	72	18	3.0	7	24.5