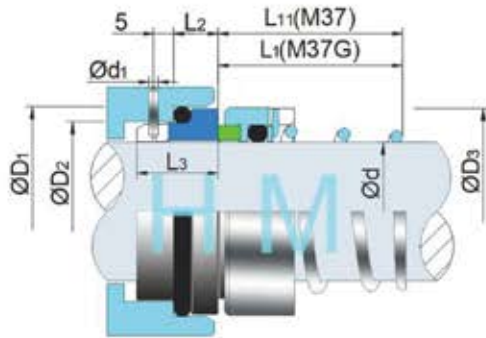


HMM37/M37G



Type: O-Ring Mechanical Seal
 Replacement: Burgmann M37/M37G
 Temperature: -20°C to +180°C
 Pressure: ≤1 Mpa
 Speed: ≤15m/s
 Material : Q2,U2,B,V1,P,E,V,F,G

d (mm)	D3	D2	D1	d1	L1	L11	L2	L3
10	20	17	21	3	16.9	-	10.0	17.5
12	22	19	23	3	17.4	-	10.0	17.5
14	24	21	25	3	17.4	16.5	10.0	17.5
16	26	23	27	3	19.5	16.5	10.0	17.5
18	31	27	33	3	20.5	18.0	11.5	19.5
20	34	29	35	3	22.0	19.0	11.5	19.5
22	36	31	37	3	23.5	20.5	11.5	19.5
24	38	33	39	3	25.0	22.0	11.5	19.5
25	39	34	40	3	26.5	23.5	11.5	19.5
28	42	37	43	3	26.5	24.5	11.5	19.5
30	44	39	45	3	25.0	24.5	11.5	19.5
32	46	42	48	3	28.5	28.0	11.5	19.5
33	47	42	48	3			11.5	19.5
35	49	44	50	3	28.5	28.0	11.5	19.5
38	54	49	56	4	32.2	31.0	14.0	22.0
40	56	51	58	4	34.7	34.0	14.0	22.0
45	59	54	61	4			14.0	22.0
45	61	56	63	4	39.2	36.5	14.0	22.0
48	64	59	66	4	44.7	42.0	14.0	22.0
50	66	62	70	4	45.7	43.0	15.0	23.0
53	69	65	73	4			15.0	23.0
55	71	67	75	4	49.0	47.0	15.0	23.0
58	78	70	78	4	52.0	50.0	15.0	23.0
60	79	72	80	4	53.0	51.0	15.0	23.0
63	83	75	83	4			15.0	23.0
65	85	77	85	4	54.3	52.0	15.0	23.0
68	88	81	90	4	55.3	52.7	18.0	26.0
70	90	83	92	4	56.3	54.0	18.0	26.0
75	98	88	97	4	56.3	54.0	18.0	26.0
80	103	95	105	4	59.3	58.0	18.2	26.2