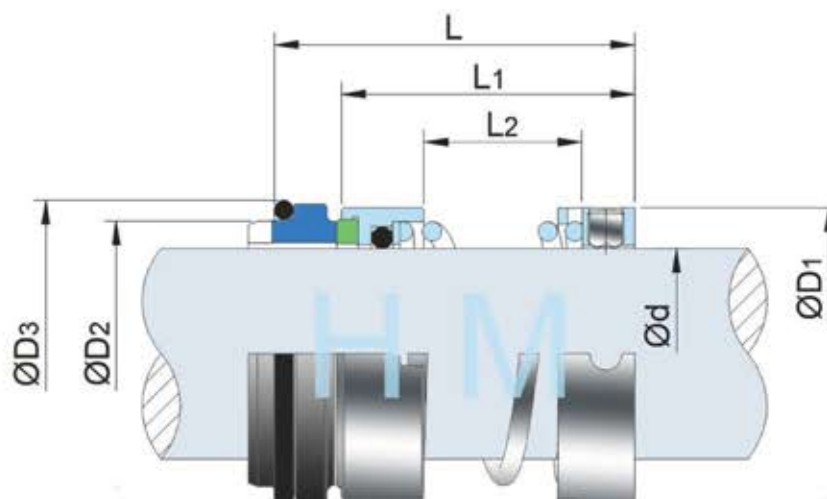


HM108U



Type: O-Ring Mechanical Seal
 Temperature: -40 to +150°C
 Pressure: ≤ 10.6 Mpa
 Speed: ≤ 10 m/s
 Material: B, A1, Q1, Q2, U2, P, E, N, V, F, G, Alfa



d (mm)	D1	D2	D3	L	L1	L2
35	49	44	50	55	42	16
40	56	50	58	55	42	19
45	61	55	63	60	47	22
50	66	62	70	60	47	27
55	71	67	75	70	55	29
60	80	72	80	70	55	29
65	85	77	85	80	65	34
70	90	84	92	80	65	36