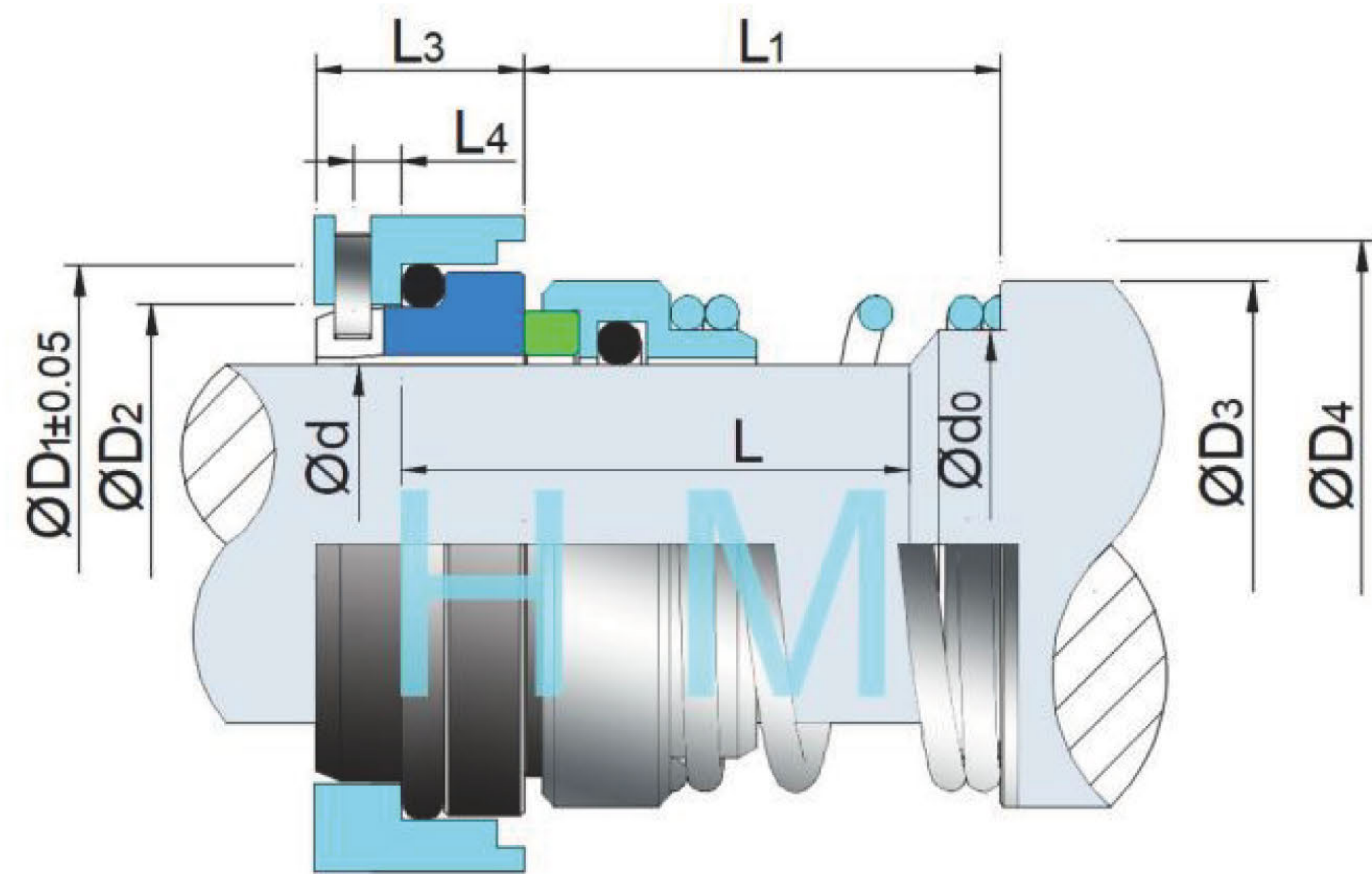


HM95

Type: O-Ring Mechanical Seal
 Replacement: AES P08,Vulcan95,Crane ROO.
 Temperature : 50°C to +200°C
 Pressure: ≤1Mpa
 Speed: ≤20m/s
 Material: Q2.U2,B,V1,P,E,V,F,G



hengmi@meseal.com

d (mm)	d0	D1	D2	D3	D4	L	L1	L3	L4
20	24.00	33.32	29.06	34.5	37.0	36.5	27.5	15	4
25	28.57	39.85	33.84	41.0	43.0	40.0	30.0	16	4
28	31.75	43.05	37.01	42.0	46.0	41.5	31.5	16	4
30	33.32	44.63	38.61	45.5	47.5	41.5	31.5	16	4
32	34.92	46.32	40.28	47.0	49.0	44.5	34.5	16	4
35	38.10	49.48	43.46	50.0	52.5	47.5	37.5	16	4
38	42.88	52.56	46.63	53.0	55.5	47.5	37.5	16	4
40	44.45	54.25	48.13	55.0	57.0	47.5	37.5	16	4
42	46.02	55.83	49.81	55.5	58.5	47.5	37.5	16	4
45	49.20	59.02	52.98	60.0	62.0	47.5	37.5	16	4
50	53.97	65.37	859.33	66.0	68.5	55.5	45.5	18	5
55	58.72	70.03	64.01	71.0	73.0	57.0	47.0	18	5
60	65.07	76.38	70.36	77.0	81.0	60.5	50.5	18	5
65	69.85	81.23	75.21	82.0	85.5	63.5	53.5	18	5
70	74.60	85.90	79.88	87.0	90.5	63.5	53.5	18	5
75	79.37	90.77	84.73	91.5	97.0	66.6	56.6	18	5
80	85.73	100.29	94.26	99.5	103.0	73.0	63.0	18	5
85	90.00	104.77	98.93	105.5	108.0	73.0	63.0	18	5
90	95.25	109.82	103.78	110.5	114.5	78.0	68.0	18	5
95	100.00	114.30	108.46	115.5	119.0	78.0	68.0	18	5
100	104.77	119.33	113.31	120.0	124.0	78.0	68.0	18	5
105	111.00	127.00	121.16	128.0	132.0	82.5	72.5	18	5
110	116.00	131.77	126.01	133.0	137.0	82.5	72.5	18	5
115	121.00	136.52	130.68	137.5	142.0	82.5	72.5	18	5
120	126.00	142.87	137.03	144.0	147.0	89.0	79.0	18	5

HM95

d (inch)	d0	D1	D2	D3	D4	L	L1	L3	L4
0.625	19.05	28.57	24.31	29.00	31.5	33.5	24.5	15	4
0.750	22.22	31.75	27.48	32.50	35.0	33.5	24.5	15	4
0.875	25.40	34.93	30.66	34.93	38.0	35.0	26.0	15	4
1.000	28.57	39.85	33.84	38.1	43.0	40.0	30.0	16	4
1.125	31.75	43.05	37.01	42.86	46.0	41.5	31.5	16	4
1.250	34.92	46.32	40.28	46.00	49.0	44.5	34.5	16	4
1.375	38.10	49.48	43.46	49.21	52.5	47.5	37.5	16	4
1.500	42.88	52.56	46.63	52.39	55.5	47.5	37.5	16	4
1.625	46.02	55.83	49.81	55.50	58.5	47.5	37.5	16	4
1.750	49.20	59.02	52.98	58.74	62.0	47.5	37.5	16	4
1.875	52.37	63.68	57.66	61.91	66.5	52.5	42.5	18	5
2.000	55.57	66.85	60.83	66.68	70.0	55.5	45.5	18	5
2.125	58.72	70.03	64.01	69.85	73.0	57.0	47.0	18	5
2.250	61.90	73.20	67.18	73.02	76.0	57.0	47.0	18	5
2.375	65.07	76.38	70.36	76.20	81.0	60.5	50.58	18	5
2.500	68.23	79.56	73.53	79.38	84.0	60.5	50.58	18	5
2.625	71.42	82.73	76.71	82.55	87.5	63.5	53.5	18	5
2.750	74.60	85.90	79.88	85.72	90.5	63.5	53.5	18	5
2.875	77.77	89.06	83.06	90.00	95.5	66.5	56.5	18	5
3.000	80.97	95.43	89.41	95.25	98.5	73.0	63.0	18	5
2.250	87.30	101.78	95.76	101.60	105.0	73.0	63.0	18	5
3.500	93.67	108.13	102.11	107.95	111.0	73.0	63.0	18	5
4.000	107.95	124.00	117.98	124.50	128.5	82.5	72.5	18	5

