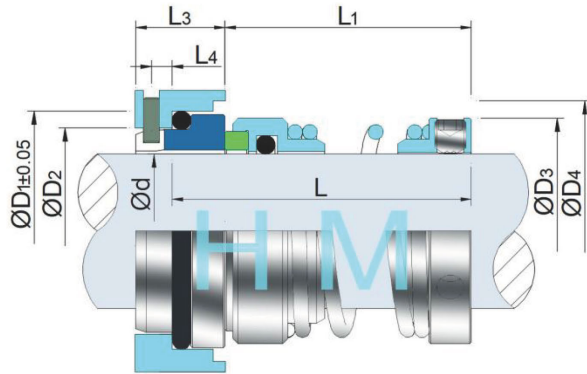


HM97



Type: O-Ring Mechanical Seal
 Replacement: Vulcan97
 Temperature: 50°C to +200°C
 Pressure: ≤1Mpa
 Speed: ≤20m/s
 Material : Q2.U2,B,V1,P,E,V,F,G



hengmi@meseal.com

d (mm)	D1	D2	D3	D4	L	L1	L3	L4
20	33.32	29.06	34.5	37.0	44.5	35.5	15	4
25	39.85	33.84	41.0	43.0	49.0	39.0	16	4
28	43.05	37.01	42.0	46.0	51.0	41.0	16	4
30	44.63	38.61	45.5	47.5	51.0	41.0	16	4
32	46.32	40.28	47.0	49.0	54.0	44.0	16	4
35	49.48	43.46	50.0	52.5	57.0	47.0	16	4
38	52.56	46.63	53.0	55.5	57.0	47.0	16	4
40	54.25	48.13	55.0	57.0	57.0	47.0	16	4
42	55.83	49.81	55.5	58.5	57.0	47.0	16	4
45	59.02	52.98	60.0	62.0	57.0	47.0	16	4
50	65.37	859.33	66.0	68.5	68.5	58.5	18	5
55	70.03	64.01	71.0	73.0	70.0	60.0	18	5
60	76.38	70.36	77.0	81.0	73.0	63.0	18	5
65	81.23	75.21	82.0	85.5	76.0	66.0	18	5
70	85.90	79.88	87.0	90.5	76.0	66.0	18	5
75	90.77	84.73	91.5	97.0	81.0	71.0	18	5
80	100.29	94.26	99.5	103.0	87.5	77.5	18	5
85	104.77	98.93	105.5	108.0	87.5	77.5	18	5
90	109.82	103.78	110.5	114.5	92.0	82.0	18	5
95	114.3	108.46	115.5	119.0	92.0	82.0	18	5
100	119.33	113.31	120.0	124.0	92.0	82.0	18	5
105	127.00	121.16	128.0	132.0	98.5	88.5	18	5
110	131.77	126.01	133.0	137.0	85.5	88.5	18	5
115	136.52	130.68	137.5	142.0	85.5	88.5	18	5
120	142.87	137.03	144.0	147.0	105.0	95.0	18	5

HM97

d (inch)	D1	D2	D3	D4	L	L1	L3	L4
0.625	28.57	24.31	29.00	31.5	41.5	32.5	15	4
0.750	31.75	27.48	32.50	35.0	41.5	32.5	15	4
0.875	34.93	30.66	34.93	38.0	44.5	35.5	15	4
1.000	39.85	33.84	38.10	43.0	49.0	39.0	16	4
1.125	43.05	37.01	42.86	46.0	51.0	41.0	16	4
1.250	46.32	40.28	46.00	49.0	54.0	44.0	16	4
1.375	49.48	43.46	49.21	52.5	57.0	47.0	16	4
1.500	52.56	46.63	52.39	55.5	57.0	47.0	16	4
1.625	55.83	49.81	55.50	58.5	57.0	47.0	16	4
1.750	59.02	52.98	58.74	62.0	57.0	47.0	16	4
1.875	63.68	57.66	61.91	66.5	65.0	55.0	18	5
2.000	66.85	60.83	66.68	70.0	68.5	58.5	18	5
2.125	70.03	64.01	69.85	73.0	70.0	60.0	18	5
2.250	73.20	67.18	73.02	76.0	70.0	60.0	18	5
2.375	76.38	70.36	76.20	81.0	73.0	63.0	18	5
2.500	79.56	73.53	79.38	84.0	73.0	63.0	18	5
2.625	82.73	76.71	82.55	87.5	76.0	66.0	18	5
2.750	85.90	79.88	85.72	90.5	76.0	66.0	18	5
2.875	89.06	83.06	90.00	95.5	81.0	71.0	18	5
3.000	95.43	89.41	95.25	98.5	87.5	77.5	18	5
2.250	101.78	95.76	101.60	105.0	87.5	77.5	18	5
3.500	108.13	102.11	107.95	111.0	87.5	77.5	18	5
4.000	124.00	117.98	124.50	128.5	98.5	88.5	18	5

