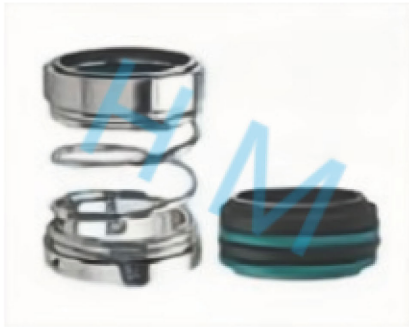
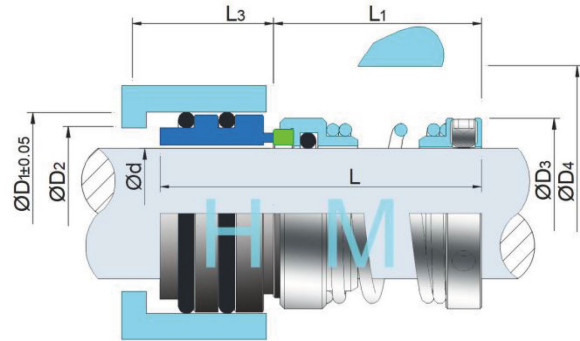


HM98



Type: O-Ring Mechanical Seal
 Replacement: Vulcan 98 , AESP080
 Temperature: 50°C to +200°C
 Pressure : ≤1Mpa
 Speed: ≤20m/s
 Material: Q2,U2,B,V1,P,E,V,F,G



hengmi@mesel.com

d (mm)	D1	D2	D3	D4	L	L1	L3
20	37.0	31.0	34.50	40	61	38	24
22	39.0	33.0	34.93	42	61	38	24
25	40.0	34.0	41.00	45	38	24	24
28	44.0	38.0	42.00	48	63	40	24
30	47.0	41.0	45.50	53	64	40	26
32	48.0	42.0	47.00	55	64	40	26
35	51.0	45.0	50.00	58	64	40	26
38	54.0	48.0	53.00	62	69	45	26
40	57.0	51.0	55.00	64	69	45	26
42	60.5	54.5	55.50	66	74	50	26
45	61.0	55.0	60.00	69	74	50	26
48	64.0	58.0	61.91	72	79	55	26
50	67.0	61.0	66.00	75	79	55	26
52	70.0	64.0	68.00	77	82	58	26
55	73.0	67.0	71.00	80	82	58	26
58	76.0	70.0	74.00	83	82	58	26
60	80.0	74.0	77.00	85	86	60	28
62	83.0	77.0	78.00	87	86	60	28
65	86.0	80.0	82.00	90	88	62	28
68	89.0	83.0	84.00	93	88	62	28
70	89.0	83.0	87.00	95	91	65	28
75	95.0	89.0	91.50	100	91	65	28
80	99.0	93.0	99.50	110	96	70	28
85	105.0	99.0	105.50	115	96	70	28
90	111.0	105.0	110.50	120	96	70	28
95	114.0	108.0	115.50	130	101	75	28
100	118.0	112.0	120.00	135	101	75	28
105	132.0	126.0	128.00	140	103	75	30
110	137.0	131.0	133.00	145	108	80	30
115	140.0	134.0	137.50	150	108	80	30
120	147.0	141.0	144.00	160	113	85	30
125	150.0	144.0	149.00	165	113	85	30
130	156.0	150.0	154.00	170	113	85	30