

# HM500AL

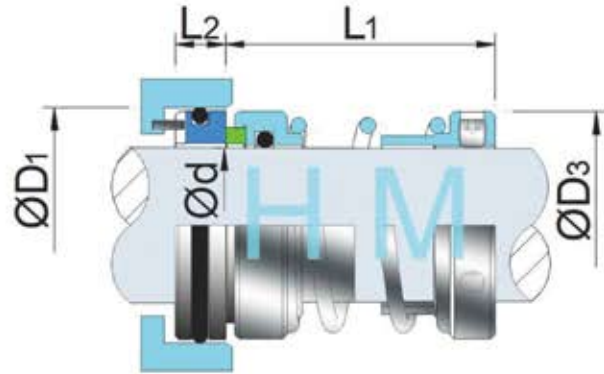
Type: O-Ring Mechanical Seal, Siut for Morman  
RuPP Pump

Temperature: -20 to +180°C

Pressure: ≤1.0Mpa

Speed: ≤15m/s

Material: B,Q2,U2,P,E,N,V,F,G,Alfa



d		D1	D3	L1	L2
inch	mm				
	14	31.75	27.94	34.92	10.3
0.625	16	31.75	27.94	34.92	10.3
0.750	18	34.93	30.73	38.10	10.3
	20	38.10	34.29	38.10	10.3
0.875	22	38.10	34.29	38.10	10.3
	24	41.28	39.06	38.10	11.1
1.000	25	41.28	39.06	38.10	11.1
1.125	28	44.44	44.00	39.68	11.1
	30	47.63	46.00	42.85	11.1
1.250	32	47.63	46.00	42.85	11.1
	33	50.80	50.16	44.45	11.1
1.375	35	50.80	50.16	44.45	11.1
1.500	38	53.98	53.34	44.45	12.7
1.625	40	60.35	56.54	44.45	12.7
	43	63.50	60.70	44.45	12.7
1.750	45	66.68	60.70	44.45	12.7
1.875	48	69.85	63.88	47.62	12.7
2.000	50	69.85	67.03	49.20	12.7
2.125	54	76.20	70.23	52.37	14.3
2.250	55	79.38	73.40	52.37	14.3
	58	82.55	77.57	57.15	14.3
2.375	60	82.55	77.57	57.15	14.3
2.500	63	85.73	82.01	57.15	14.3
2.625	65	85.73	87.50	58.73	15.9
	68	88.90	88.90	58.73	15.9
2.750	70	88.90	88.90	58.73	15.9
2.875	73	95.25	93.00	65.07	15.9
3.000	75	98.43	95.68	69.85	15.9