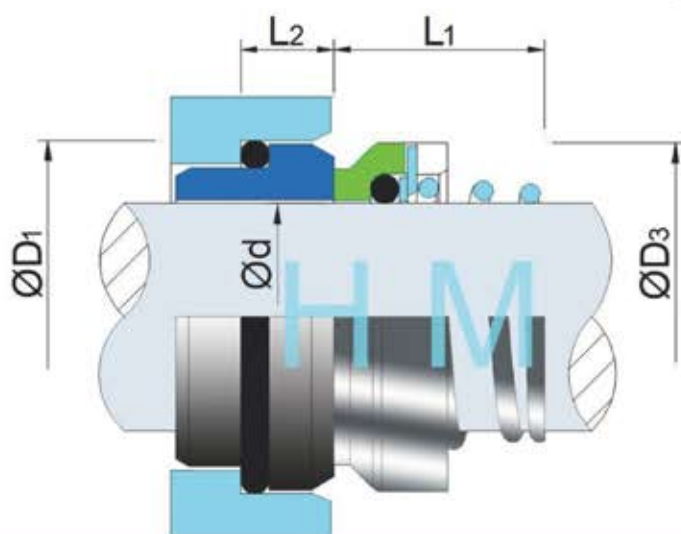


HMM2



Type: O-Ring Mechanical Seal
 Replacement: Burgmann M2, AES T07, Roten 22
 Temperature: -20 to +150°C
 Pressure: $\leq 1.0\text{Mpa}$
 Speed: $\leq 15\text{m/s}$
 Material: B, Q2, U2, P, E, N, V, F, G, Alfa



hengmi@mesecal.com

d (mm)	D1	D3	L1	L2
10	19.2	20	15.9	6.6
12	21.6	22	16.0	5.6
14	24.6	25	16.0	5.6
15	24.6	27	17.4	6.6
16	28.0	27	19.0	7.5
18	30.0	30	20.5	8.0
20	35.0	35	22.0	7.5
22	35.0	35	23.5	7.5
24	38.0	38	25.0	7.5
25	38.0	40	26.5	7.5
28	42.0	43	26.5	9.0
30	45.0	45	25.0	10.5
32	48.0	47	28.5	10.5
35	52.0	50	28.5	11.0
38	55.0	56	32.0	10.3