

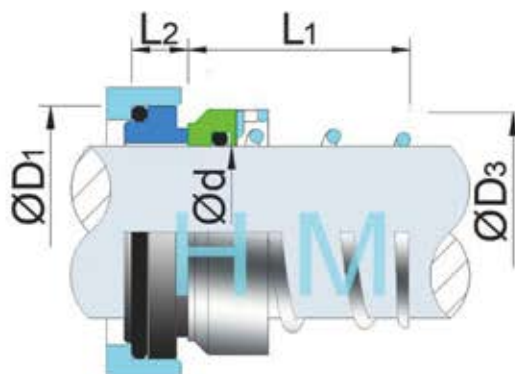
HMM3



Type: O-Ring Mechanical Seal
 Replacement: Burgmann M3, AES T02, Vulcan 8B, Flowserve 39
 Temperature: -20 to +150°C
 Pressure: $\leq 1.0\text{Mpa}$
 Speed: $\leq 15\text{m/s}$
 Material: B, Q2, U2, P, E, N, V, F, G, Alfa



hengmi@meseal.com



d (mm)	D1	D3	L1	L2
10	19.2	19	15.5	7.1
12	21.6	20	15.5	7.6
14	24.6	23	15.5	7.6
15	24.6	24	15.5	8.6
16	28.0	26	17.5	9.0
18	30.0	29	18.5	10.0
19	31.0	31	20.0	9.0
20	35.0	31	20.0	9.5
22	35.0	33	21.5	9.5
24	38.0	35	23.0	9.5
25	38.0	36	24.5	9.5
26	40.0	36	24.5	10.0
28	42.0	40	24.5	11.0
30	45.0	43	24.5	11.0
32	48.0	46	28.0	11.0
35	52.0	49	28.0	11.5
38	55.0	53	31.0	11.5
40	58.0	56	34.0	11.5
42	62.0	59	35.0	14.3
43	63.0	59	35.0	14.3
45	64.0	61	36.5	14.3
48	68.4	64	42.0	14.3
50	69.3	66	43.0	14.3
55	75.4	71	47.0	15.3
58	78.4	76	50.0	15.3
60	80.4	78	51.0	15.3
65	85.4	84	52.0	15.3
68	91.5	87	53.0	16.0
70	92.0	90	54.0	15.3
75	99.0	98	55.0	15.3
80	104.0	100	58.0	16.3