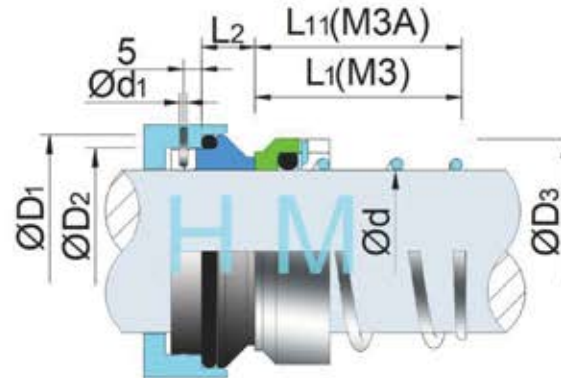


HMM3N



Type: O-Ring Mechanical Seal
 Replacement: Burgmann M3N
 Temperature: -20°C to +180°C
 Pressure: ≤1Mpa
 Speed: ≤15m/s
 Material: Q2,U2,B,V1,P,E,V,F,G



hengmi@mesal.com

d (mm)	d1	D1	D2	D3	L1	L2	L3	L11
10	3	21	17	19	15.5	10.0	17.5	15.5
12	3	23	19	21	16.0	10.0	17.5	15.5
14	3	25	21	23	16.5	10.0	17.5	15.5
16	3	27	23	26	18.0	10.0	17.5	17.5
18	3	33	27	29	19.5	11.5	19.5	18.5
20	3	35	29	31	22.0	11.5	19.5	20.0
22	3	37	31	33	21.5	11.5	19.5	21.5
24	3	39	33	35	23.5	11.5	19.5	23.0
25	3	40	34	36	26.5	11.5	19.5	24.5
28	3	43	37	40	26.5	11.5	19.5	24.5
30	3	45	39	43	26.5	11.5	19.5	24.5
32	3	48	42	46	28.5	11.5	19.5	28.0
33	3	48	42	47	28.5	11.5	19.5	—
35	3	50	44	49	28.5	11.5	19.5	28.0
38	4	56	49	53	33.5	14.0	22.0	31.0
40	4	58	51	56	36.0	14.0	22.0	34.0
43	4	61	54	59	38.5	14.0	22.0	—
45	4	63	56	61	39.5	14.0	22.0	36.5
48	4	66	59	64	46.0	14.0	22.0	42.0
50	4	70	62	66	45.0	15.0	23.0	43.0
53	4	73	65	69	47.0	15.0	23.0	—
55	4	75	67	71	49.0	15.0	23.0	47.0
58	4	78	70	76	55.0	15.0	23.0	50.0
60	4	80	72	78	55.0	15.0	23.0	51.0
63	4	83	75	83	55.0	15.0	23.0	—
65	4	85	77	84	55.0	15.0	23.0	52.0
68	4	90	81	88	55.0	18.0	26.0	53.0
70	4	92	83	90	57.0	18.0	26.0	54.0
75	4	97	88	98	62.0	18.0	26.0	55.0
80	4	105	95	100	61.8	18.2	26.2	58.0