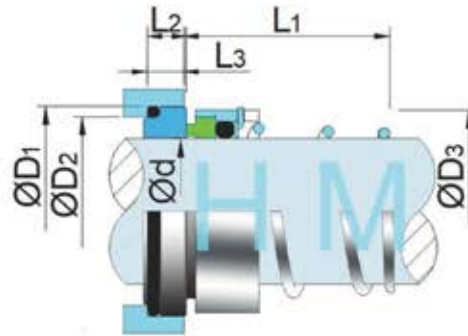


# HMM32/M377



Type: O-Ring Mechanical Seal  
 Replacement: Burgmann M32/M377, Vulcan 8, AES  
 T01, Roten L4B, Flowserve38  
 Temperature: -20°C to +180°C  
 Pressure: ≤1Mpa  
 Speed: ≤15m/s  
 Material: Q2,U2,B,VI,P,E,V,F,G



hengmi@mescal.com

d (mm)	D1	D2	D3	L1	L2	L3
10	19.2	15.5	19	15.5	6.6	5.0
12	21.6	17.5	21	15.5	5.6	5.0
14	24.6	20.5	23	15.5	5.6	5.0
15	24.6	20.5	24	15.5	6.6	5.0
16	28.0	22.0	26	17.5	7.5	6.5
18	30.0	24.0	29	18.5	8.0	6.5
19	31.0	25.0	31	20.0	7.5	6.5
20	35.0	29.5	31	20.0	7.5	6.5
22	35.0	29.5	33	21.5	7.5	6.5
24	38.0	32.0	35	23.0	7.5	6.5
25	38.0	32.0	36	24.5	7.5	6.5
26	40.0	34.0	37	24.5	8.0	6.5
28	42.0	36.0	40	24.5	9.0	6.5
30	45.0	39.2	43	24.5	10.5	6.5
32	48.0	42.2	46	28.0	10.5	6.5
35	52.0	46.2	49	28.0	11.0	6.5
38	55.0	49.2	53	31.0	10.3	6.5
40	58.0	52.2	56	34.0	10.8	6.5
42	62.0	53.3	59	35.0	12.0	8.0
43	62.0	54.3	59	35.0	12.0	8.0
45	64.0	55.3	61	36.5	11.6	8.0
48	68.0	59.7	64	42.0	11.6	8.0
50	69.0	60.8	66	43.0	11.6	8.5
55	75.4	66.5	71	47.0	13.3	8.5
58	78.4	69.5	76	50.0	13.3	8.5
60	80.4	71.5	78	51.0	13.3	8.5
65	85.4	76.5	84	52.0	13.0	8.5
68	91.5	82.7	88	53.0	13.7	9.5
70	92.0	83.0	90	54.0	13.0	9.5
75	99.0	92.2	98	55.0	14.0	9.5
80	104.0	95.2	100	58.0	15.0	10.0