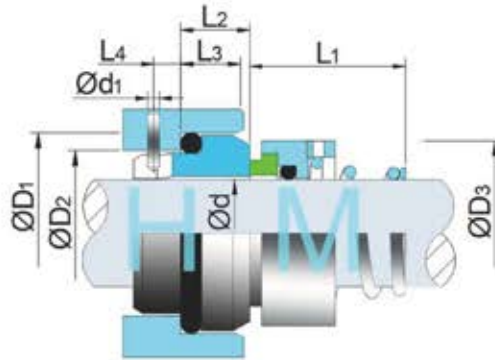


HMM32N/M377N



Type: O-Ring Mechanical Seal
 Replacement: Burgmann M32N/M377N , Vulcan 8.DIN,
 AES T01D , Flowserve38D
 Temperature: -20°C to +180°C
 Pressure: ≤1Mpa
 Speed: ≤15m/s
 Material : Q2,U2,B,V1,P,E,V,F,G



hengmi@meseal.com

d (mm)	d1	D1	D2	D3	L1	L2	L3	L4
10	3	21	17	19	15.5	10.0	5.5	5
12	3	23	19	21	16.0	10.0	5.5	5
14	3	25	21	23	16.5	10.0	5.5	5
16	3	27	23	26	18.0	10.0	5.5	5
18	3	33	27	29	19.5	11.5	7.0	5
20	3	35	29	31	21.5	11.5	7.0	5
22	3	37	31	33	21.5	11.5	7.0	5
24	3	39	33	35	23.5	11.5	7.0	5
25	3	40	34	36	26.5	11.5	7.0	5
28	3	43	37	40	26.5	11.5	7.0	5
30	3	45	39	43	26.5	11.5	7.0	5
32	3	48	42	46	28.5	11.5	7.0	5
35	3	50	44	49	28.5	11.5	7.0	5
38	4	56	49	53	33.5	14.0	8.0	5
40	4	58	51	56	36.0	14.0	8.0	5
43	4	61	54	59	38.5	14.0	8.0	5
45	4	63	56	61	39.5	14.0	8.0	5
48	4	66	59	64	45.0	14.0	8.0	5
50	4	70	62	66	45.0	15.0	8.5	5
53	4	73	65	69	47.0	15.0	8.5	5
55	4	75	67	71	49.0	15.0	8.5	5
58	4	78	70	76	55.0	15.0	8.5	5
60	4	80	72	78	55.0	15.0	8.5	5
65	4	85	77	84	55.0	15.0	8.5	5
68	4	90	81	88	55.0	18.0	9.5	5
70	4	92	83	90	57.0	18.0	9.5	5
75	4	97	88	98	62.0	18.0	9.5	5
80	4	105	95	100	61.8	18.2	10.0	5