

HMT03D



Type: O-Ring Mechanical Seal, Suit for Grundfos, Hige Pumps

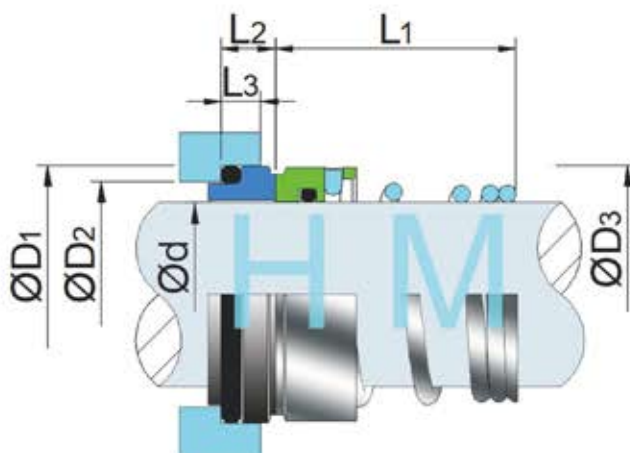
Replacement: Burgmann BT-RN UN, AES T03D, Vulcan 12DIN, Roten UNITEN 2, Flowserve42D, LATTY T900D

Temperature: -40°C to +200°C

Pressure: ≤1Mpa

Speed: ≤15m/s

Material: Q2,U2,B,V1,P,E,V,F,G



 hengmi@meseal.com

d (mm)	D1	D2	D3	L1	L2	L3
10	21	17	19.0	15	7.0	4.0
12	23	19	21.0	18	7.0	4.0
14	25	21	23.0	22	7.0	4.0
16	27	23	26.0	23	7.0	4.0
18	33	27	29.0	24	7.0	5.0
20	35	29	31.0	25	10.0	5.0
22	37	31	33.0	25	10.0	5.5
24	39	33	35.0	27	10.0	5.5
25	40	34	36.0	27	10.50	5.5
28	43	37	40.0	29	10.0	5.5
30	45	39	43.0	30	10.0	5.5
32	48	42	46.0	30	10.0	5.5
33	48	42	46.0	39	10.5	5.5
35	50	44	49.0	39	10.0	5.5
38	56	49	53.0	42	13.0	6.0
40	58	51	56.0	42	13.0	6.0
43	61	54	59.0	47	13.0	6.0
45	63	56	61.0	47	13.0	6.0
48	66	59	64.0	47	13.0	6.0
50	70	62	66.0	46	14.0	6.0
53	73	65	69.0	56	14.0	6.0
55	75	67	71.0	56	14.0	6.0
58	78	70	76.0	56	14.0	6.0
60	80	72	78.0	56	14.0	6.0
63	83	75	81.0	56	14.0	6.0
65	85	77	84.0	66	14.0	6.0
68	90	81	88.0	64	16.0	7.0
70	92	83	89.0	64	16.0	7.0
75	97	88	98.0	64	16.0	7.0
80	105	85	100.0	72	18.0	7.0
85	110	100	107.5	72	18.0	7.0
90	115	105	111.0	72	18.0	7.0
95	120	110	119.0	72	18.0	7.0
100	125	115	123.8	72	18.0	7.0