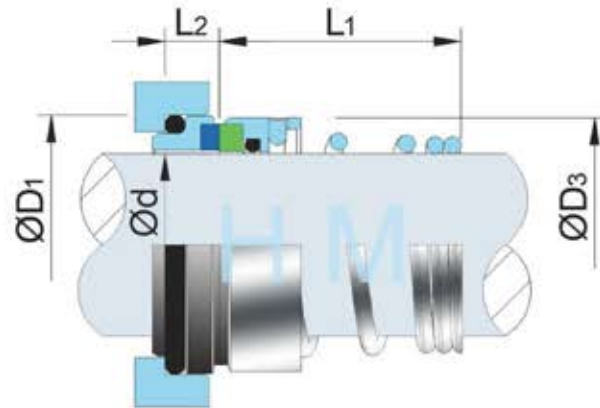


HM4B



Type: O-Ring Mechanical Seal
 Temperature: -20°C to +180°C
 Pressure: $\leq 1\text{Mpa}$
 Speed: $\leq 15\text{m/s}$
 Material: Q2,U2,B,V1,P,E,V,F,G



hengmi@meseal.com

d (mm)	D1	D3	L1	L2
8	17.1	16.0	15.2	5.5
10	18.1	17.5	15.2	15.0
12	20.6	20.0	18.2	5.5
14	23.1	23.0	22.2	6.0
15	26.9	24.0	22.2	7.0
16	26.9	26.0	23.2	7.0
17	26.9	27.0	23.2	7.0
18	30.9	29.0	24.2	8.0
19	30.9	30.0	25.2	8.0
20	30.9	30.0	25.2	8.0
22	35.4	34.0	25.2	8.0
24	35.4	35.0	27.2	8.0
25	38.2	37.0	27.2	8.5
26	38.2	38.0	27.2	8.5
28	43.3	42.0	29.2	9.0
30	43.3	43.0	30.2	9.0
32	43.3	45.0	30.2	11.5
33	53.5	48.0	39.2	11.5
35	53.5	50.0	39.2	11.5
38	60.5	54.0	39.2	11.5
40	60.5	56.0	39.2	11.5
42	60.5	59.0	39.2	11.5
43	60.5	60.0	39.2	11.5
45	65.5	64.0	41.2	11.5
48	65.5	68.0	41.2	11.5
50	72.5	69.0	45.2	11.5
55	72.5	74.0	47.2	11.5
60	79.5	80.0	49.2	11.5
65	84.5	87.0	51.2	11.5
70	89.5	92.0	51.2	11.5
75	94.5	97.0	57.2	11.5
80	99.5	102.0	59.2	11.5
85	105.5	110.0	59.2	13.5
90	111.5	117.0	62.2	13.5
95	116.5	122.0	62.2	13.5
100	119.5	127.0	75.2	13.5