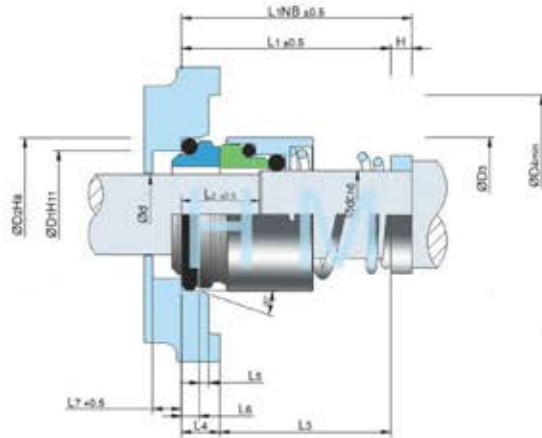


HMBT-FH.NB(Balanced version)



Type: O-Ring Mechanical Seal
 Replacement: BURGMANN BT-FH.NB((balanced version)
 Temperature: -20 to +150°C
 Pressure : ≤1Mpa
 Speed: ≤15m/s
 Material : B,Q2,U2,P,E,N,V,F,G,Alfa



 hengmi@mesel.com

d (mm)	d0	D1	D2	D3	D4	L1NB	L1	L2	L3	L4	L5	L6	L7	H
16	20	23	27	34	36	55	47	18	40	7	1.5	4	8.5	8
18	22	27	33	36	38	55	51	20	41	10	2.0	5	9.0	4
20	24	29	35	38	40	60	53	20	43	10	2.0	5	9.0	7
22	26	31	37	40	42	60	53	20	43	10	2.0	5	9.0	7
24	28	33	39	42	44	60	60	20	50	10	2.0	5	9.0	-
25	30	34	40	44	46	60	60	20	50	10	2.0	5	9.0	-
28	33	37	43	47	49	65	65	20	55	10	2.0	5	9.0	-
30	35	39	45	49	51	65	65	20	55	10	2.0	5	9.0	-
32	38	42	48	54	58	65	65	20	55	10	2.0	5	9.0	-
33	38	42	48	54	58	65	65	20	55	10	2.0	5	9.0	-
35	40	44	50	56	60	65	65	20	55	10	2.0	5	9.0	-
38	43	49	56	59	63	75	75	23	62	13	2.0	6	9.0	-
40	45	51	58	61	65	75	75	23	62	13	2.0	6	9.0	-
43	48	54	61	64	68	75	75	23	63	13	2.0	6	9.0	-
45	50	56	63	66	70	75	75	23	62	13	2.0	6	9.0	-
48	53	59	66	69	73	85	85	23	72	13	2.0	6	9.0	-
50	55	62	70	71	75	85	85	25	71	14	2.5	6	9.0	-
53	58	65	73	78	83	85	85	25	71	14	2.5	6	9.0	-
55	60	67	75	80	85	85	85	25	71	14	2.5	6	9.0	-
58	63	70	78	83	88	85	85	25	71	14	2.5	6	9.0	-
60	65	72	80	85	90	95	95	25	81	14	2.5	6	9.0	-
63	68	75	83	88	93	95	95	25	81	14	2.5	6	9.0	-
65	70	77	85	90	95	95	95	25	81	14	2.5	6	9.0	-
70	75	83	92	99	104	95	95	28	79	16	2.5	7	9.0	-