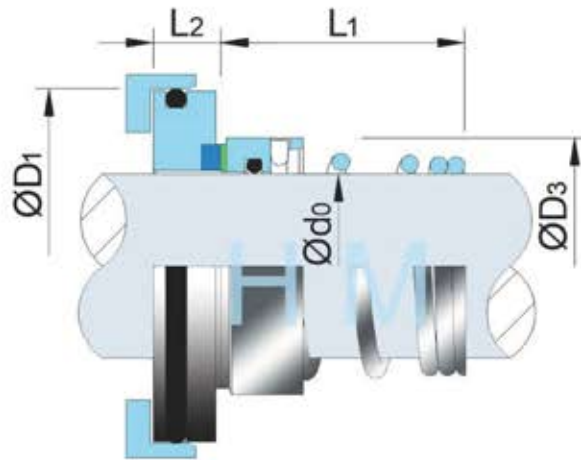


# HM32A(T01A)



Type: O-Ring Mechanical Seal, Suit for Allweiler  
 SPF10, SPF 20 Pumps  
 Replacement: AES T01A, Billi BB23, Burgmann M377  
 Special  
 Temperature: -20 to +150°C  
 Pressure: ≤1.1Mpa  
 Speed: ≤10m/s  
 Material: B, Q2, U2, P, E, N, V, F, G, Alfa



d (mm)	D1	D3	L1	L2
15	38	24	15.0	8.0
20	45	31	19.5	8.5
d (inch)	D1	D3	L1	L2
0.591	1.496	0.945	0.591	0.315
0.787	1.772	1.220	0.768	0.335