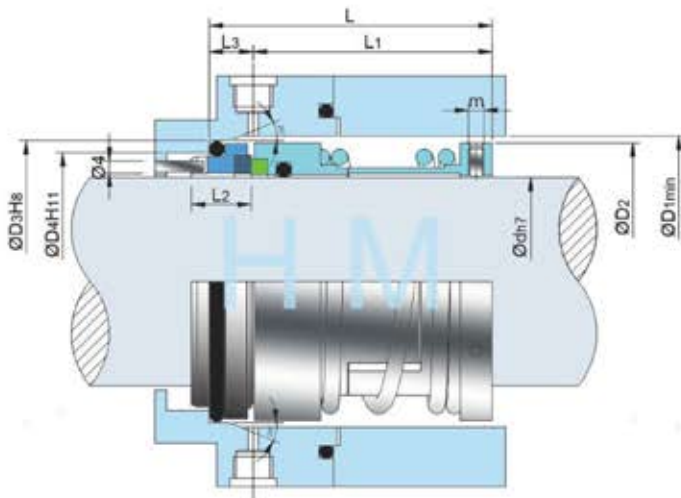


HM124



Type: O-Ring Mechanical Seal
 Temperature: -20 to +180°C
 Pressure: $\leq 1.2\text{Mpa}$
 Speed: $\leq 15\text{m/s}$
 Material: B,Q2,U2,P,E,N,V,F,G,Alfa



hengmi@meseal.com

d (mm)	D1	D2	D3	D4	L	L1	L2	L3	m
20	36	34	36	28.5	46.0	31.0	20	15	5
25	41	39	42	34.5	49.0	34.0	20	15	5
30	51	49	50	40.5	51.0	36.0	20	15	6
35	59	57	55	45.5	61.5	46.5	20	15	6
40	64	62	60	50.5	64.5	49.5	20	15	6
45	69	67	65	55.5	69.5	54.5	20	15	6
50	74	72	70	60.5	73.5	57.5	21	16	6
55	80	77	75	65.5	75.5	59.5	21	16	8
60	85	82	80	70.5	75.5	59.5	21	16	8
65	94	91	89	79.5	81.5	64.5	22	17	8
70	99	96	94	84.5	83.5	66.5	22	17	8
75	104	101	99	89.5	83.5	66.5	22	17	8
80	109	106	104	94.5	88.5	71.5	22	17	8
85	114	111	109	99.5	91.5	74.5	22	17	8
90	119	116	114	104.5	92.5	75.5	22	17	8
95	124	121	119	109.5	92.5	75.5	22	17	8