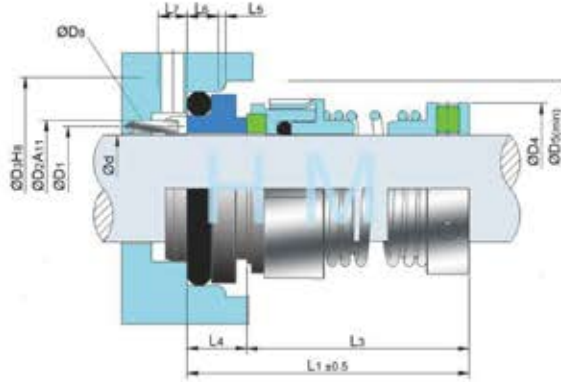


HM103U



Type: O-Ring Mechanical Seal
 Temperature: -20 to +150°C
 Pressure: ≤0.8Mpa
 Speed: ≤10m/s
 Material: B,Q2,U2,P,E,N,V,F,G,Alfa



 hengmi@meseal.com

d (mm)	D3	D4	D1	D2	D3	D8	L1	L3	L4	L5	L6	L7
16	33	36	21	25	33	2	52	40	12	1.5	5.5	7
18	35	38	23	28	36	2	56	44	12	1.5	5.5	7
20	37	40	25	30	40	3	58	44	14	2.0	6.5	8
22	39	42	27	32	42	3	62	48	14	2.0	6.5	8
25	42	45	30	35	45	3	62	48	14	2.0	6.5	8
28	45	48	33	38	48	3	64	50	14	2.0	6.5	8
30	52	55	35	40	50	3	70	56	14	2.0	6.5	8
35	57	60	40	45	55	3	74	60	14	2.0	6.5	8
40	62	65	45	50	60	3	78	64	14	2.0	6.5	8
45	67	70	50	55	65	3	85	71	14	2.0	6.5	8
50	72	75	55	60	70	3	89	75	14	2.5	6.5	8
55	77	80	60	65	75	3	91	77	14	2.5	6.5	8
60	82	85	65	70	80	3	91	77	14	2.5	6.5	8
65	92	95	73	80	90	3	106	89	17	2.5	6.5	8
70	97	100	78	85	97	3	110	91	19	2.5	7.5	9
75	102	105	83	90	102	3	110	91	19	2.5	7.5	9
80	107	110	88	95	107	3	117	98	19	3.0	7.5	9
85	112	115	93	100	112	3	119	100	19	3.0	7.5	9
90	117	120	98	105	117	3	120	101	19	3.0	7.5	9
95	122	125	103	110	122	3	120	101	19	3.0	7.5	9
100	127	130	108	115	127	3	120	101	19	3.0	7.5	9
110	141	145	120	130	142	3	147	126	21	3.0	8.0	9
120	151	155	130	140	152	3	147	126	21	3.0	8.0	9