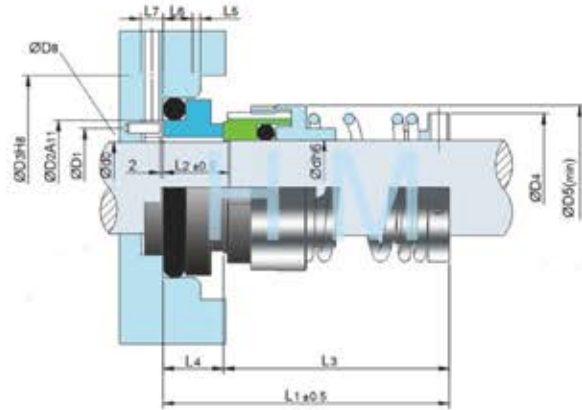


HM103B



Type: O-Ring Mechanical Seal
 Temperature: -20 to +150°C
 Pressure: ≤0.8Mpa
 Speed: ≤10m/s
 Material: B,Q2,U2,P,E,N,V,F,G,Alfa



 hengmi@mesecal.com

d (mm)	d0	D4	D5	D1	D2	D3	D8	L1	L2	L3	L4	L5	L6	L7
16	11	33	36	19	25	33	2	60	20	48	12	1.5	5.5	7
18	13	35	38	22	28	36	2	64	20	52	12	1.5	5.5	7
20	15	37	40	23	30	40	3	66	22	52	14	2.0	6.5	8
22	17	39	42	26	32	42	3	70	22	56	14	2.0	6.5	8
25	20	42	45	28	35	45	3	70	22	56	14	2.0	6.5	8
28	22	45	48	31	38	48	3	72	22	58	14	2.0	6.5	8
30	25	52	55	33	40	50	3	79	23	65	14	2.0	6.5	8
35	28	57	60	37	45	55	3	84	24	70	14	2.0	6.5	8
40	34	62	65	42	50	60	3	88	24	74	14	2.0	6.5	8
45	38	67	70	47	55	65	3	95	24	81	14	2.0	6.5	8
50	44	72	75	52	60	70	3	99	24	85	14	2.5	6.5	8
55	48	77	80	57	65	75	3	101	24	87	14	2.5	6.5	8
60	52	82	85	62	70	80	3	101	24	87	14	2.5	6.5	8
65	58	92	95	70	80	90	3	113	27	96	17	2.5	6.5	8
70	62	97	100	74	85	97	3	120	32	101	19	2.5	7.5	9
75	66	102	105	79	90	102	3	120	32	101	19	2.5	7.5	9
80	72	107	110	84	95	107	3	127	32	108	19	3.0	7.5	9
85	76	112	115	89	100	112	3	129	32	110	19	3.0	7.5	9
90	82	117	120	94	105	117	3	130	32	111	19	3.0	7.5	9
95	85	122	125	99	110	122	3	130	32	111	19	3.0	7.5	9
100	90	127	130	104	115	127	3	130	32	111	19	3.0	7.5	9
110	100	141	145	116	130	142	3	159	36	138	21	3.0	8.0	9
120	110	151	155	126	140	152	3	159	36	138	21	3.0	8.0	9