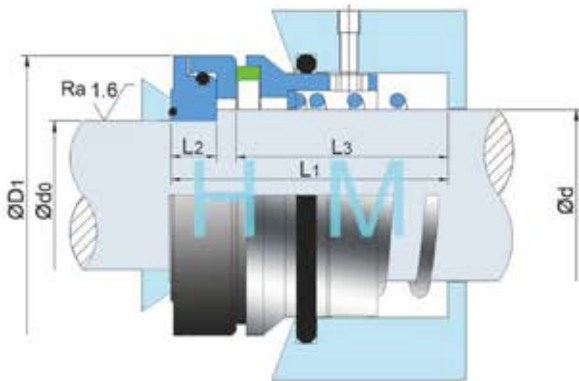


HM107

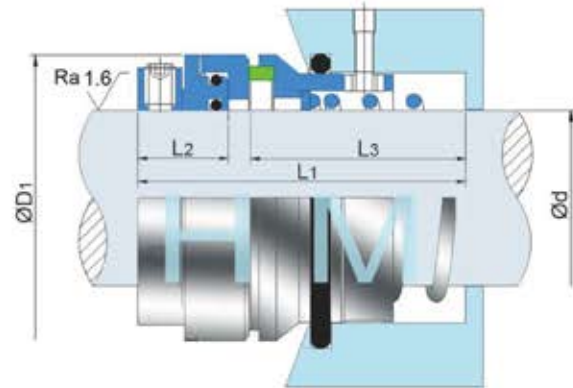


Type: O-Ring Seal
 Replacement: Latty B 10712 REP/REV/RIP/RIV
 Temperature: -20 to +180°C
 Pressure: ≤10 Bar
 Speed: ≤10m/s
 Material: B,A1,Q1,Q2,U2,PE,N,V,F,G,Alfa

HQ107(B10712REP)



HQ10712(REV)



d (mm)	d0	D1	REP		REV		L3
			L1	L2	L1	L2	
20	15	42	66.0	10	76.0	24.5	51.5
25	20	48	68.5	10	78.5	24.5	54.0
30	25	53	72.0	12	82.0	26.5	55.5
35	30	58	76.0	12	86.0	28.0	58.0
40	35	68	89.0	15	99.0	31.0	68.0
45	40	73	90.0	15	100.0	31.0	69.0
50	45	78	96.0	15	106.0	31.0	74.5
55	50	83	98.0	15	108.0	31.0	76.5
60	55	88	100.0	15	112.0	33.5	78.5
65	57	93	99.5	16	110.5	33.5	77.0
70	62	98	103.5	16	114.5	34.0	80.5
75	67	103	111.5	16	122.5	34.0	88.5
80	72	108	115.5	18	124.5	34.0	90.5
85	75	118	118	20	128.0	37.0	91.0
90	80	127	136.5	23	146.5	44.0	102.5
95	85	132	142.0	26	153.0	48.0	105.0
100	90	138	153.0	27	163.0	48.0	115.0
105	95	144	159.0	32	164.0	48.0	116.0
110	100	154	158.0	32	163.0	48.0	115.0
115	105	159	172.0	35	177.5	53.5	124.0
120	110	164	165.0	35	170.5	53.5	117.0
125	115	139	166.0	35	171.5	53.5	118.0
130	120	174	173.0	35	178.0	53.5	125.0