

HM104aU/104aB

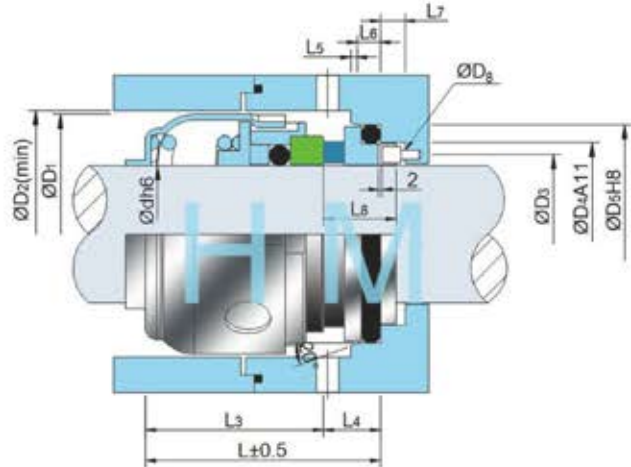
Type: O-Ring Mechanical Seal

Temperature: -20 to +200°C

Pressure: $\leq 0.8\text{Mpa}$

Speed: $\leq 13\text{m/s}$

Material: B,Q2,U2,P,E,N,V,F,G,Alfa



hengmi@meseal.com

HM104aU

d (mm)	D1	D2	D3	D4	D5	D8	L	L3	L4	L5	L6	L7	L8
16	33	36	21	25	33	2	36.5	24.5	12	1.5	5.5	7	16
18	35	38	23	28	36	2	37.5	25.5	12	1.5	5.5	7	16
20	37	40	25	30	40	3	40.5	26.5	14	2.0	6.5	8	19
22	39	42	27	32	42	3	42.5	28.5	14	2.0	6.5	8	19
25	42	45	30	35	45	3	42.5	28.5	14	2.0	6.5	8	19
28	45	48	33	38	48	3	45.5	31.5	14	2.0	6.5	8	19
30	52	55	35	40	50	3	49.0	35.0	14	2.0	6.5	8	19
35	57	60	40	45	55	3	51.0	37.0	14	2.0	6.5	8	19
40	62	65	45	50	60	3	54.0	40.0	14	2.0	6.5	8	19
45	67	70	50	55	65	3	59.0	45.0	14	2.0	6.5	8	19
50	72	75	55	60	70	3	62.0	48.0	14	2.5	6.5	8	19
55	77	80	60	65	75	3	64.0	50.0	14	2.5	6.5	8	19
60	82	85	65	70	80	3	64.0	50.0	14	2.5	6.5	8	19
65	92	95	73	80	90	3	72.0	55.0	17	2.5	6.5	8	22
70	97	100	78	85	97	3	76.0	57.0	19	2.5	7.5	9	25
75	102	105	83	90	102	3	76.0	57.0	19	2.5	7.5	9	25
80	107	110	88	95	107	3	81.0	62.0	19	3.0	7.5	9	25
85	112	115	93	100	112	3	81.0	62.0	19	3.0	7.5	9	25
90	117	120	98	105	117	3	82.0	63.0	19	3.0	7.5	9	25
95	122	125	103	110	122	3	82.0	63.0	19	3.0	7.5	9	25
100	127	130	108	115	127	3	82.0	63.0	19	3.0	7.5	9	25