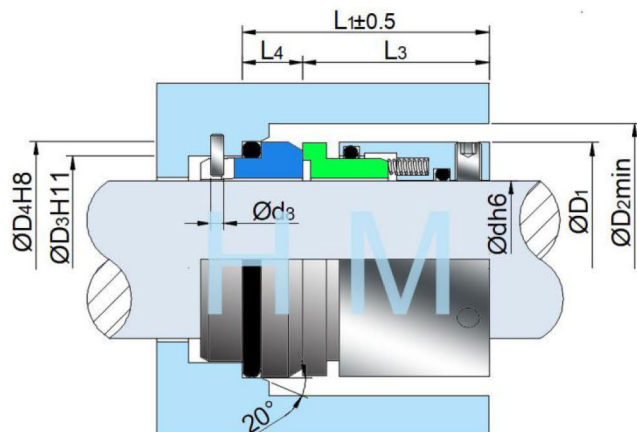


HM891



Type : Multi Spring double face Seal
 Replacement: Chesterton 891
 Temperature: -20 to +180°C
 Pressure : ≤2.5Mpa
 Speed : ≤15m/s
 Material : B,Q2,U2,P,E,N,V,F,G,Alfa

d (mm)	D1	D2	D3	D4	d8	L1	L3	L4
18	27	33	33	36	3	45.5	32	13.5
20	29	35	35	38	3	45.5	32	13.5
22	31	37	37	40	3	45.5	32	13.5
24	33	39	39	42	3	45.5	32	13.3
25	34	40	40	43	3	45.0	32	13.0
28	37	43	43	46	3	44.5	32	12.5
30	39	45	45	48	3	44.0	32	12.0
32	42	48	47	50	3	54.0	42	12.0
33	42	48	48	51	3	54.0	42	12.0
35	44	50	50	53	3	54.0	42	12.0
38	49	56	55	58	3	55.0	42	13.0
40	51	58	57	60	3	55.0	42	13.0
43	54	61	60	63	4	55.0	42	13.0
45	56	63	62	65	4	55.0	42	13.0
48	59	66	65	68	4	55.0	42	13.0
50	62	70	67	70	4	55.5	42	13.5
53	65	73	70	73	4	55.5	42	13.5
55	67	75	72	75	4	55.5	42	13.5
58	70	78	79	82	4	55.5	42	13.5
60	72	80	81	84	4	55.5	42	13.5
65	77	85	86	89	4	55.5	42	13.5
68	81	90	89	92	4	55.5	42	13.5
70	83	92	91	94	4	56.5	42	14.5
75	88	97	99	102	4	62.5	48	14.5
80	95	105	104	107	4	63.0	48	15.0
85	100	110	109	112	4	63.0	48	15.0
90	105	115	114	117	4	63.0	48	15.0
95	110	120	119	122	4	63.0	48	15.0
100	115	125	124	127	4	63.0	48	15.0