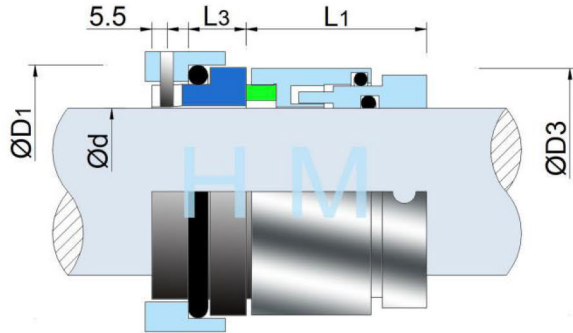


HM40/HM40S/HM40L



Type : Multi Spring Mechanical Seal
 Replacement: Vulcan 40/40S/40L
 Temperature: -20°C to +180°C
 Pressure : ≤2.5Mpa
 Speed: ≤15m/s
 Material : V1,Q1,Q2,U2,B,A,P,E,V,M1,M2,F,G,M

d (mm)	d (inch)	D1	D3	L1	L3	40 L slot width	40 L slot depth
18		33	32.5	30.0	10.0	4	5.5
19	0.750	35	33.5	30.0	10.0	4	5.5
20		35	34.5	30.0	10.0	4	5.5
22	0.875	37	36.5	30.0	10.0	4	5.5
24		39	38.5	30.0	10.0	4	5.5
25		40	39.5	30.0	10.0	4	5.5
	1.125	43	39.5	30.0	10.0	4	5.5
28		43	42.5	32.5	10.0	4	5.5
		45	42.5	32.5	10.0	4	5.5
30		45	44.5	32.5	10.0	4	5.5
32	1.250	48	46.0	32.5	10.0	4	5.5
33		48	47.0	32.5	10.0	4	5.5
35	1.375	50	48.0	32.5	10.0	4	5.5
38	1.500	56	52.0	34.0	11.0	5	5.5
40		58	56.0	34.0	11.0	5	5.5
42	1.625	61	56.0	34.0	11.0	5	5.5
43		61	59.0	34.0	11.0	5	5.5
44-45	1.750	63	59.0	34.0	11.0	5	5.5
48	1.875	66	62.4	34.0	11.0	5	5.5
50	2.000	70	65.6	34.0	13.0	5	5.5
53	2.125	73	68.8	34.5	13.0	5	5.5
55		75	70.8	34.5	13.0	5	5.5
	2.250	78	71.9	34.5	13.0	5	5.5
58		78	75.2	34.5	13.0	5	5.5
60	2.375	80	75.2	34.5	13.0	5	5.5
63		83	78.3	34.5	13.0	5	5.5
	2.500	85	78.3	34.5	13.0	5	5.5
65		85	84.2	36.5	13.0	5	5.5
68	2.625	90	85.5	36.5	15.3	5	5.5
70	2.750	92	87.4	36.5	15.3	5	5.5
73	2.875	97	90.6	36.5	15.3	5	5.5
75		97	92.7	36.5	15.3	5	5.5
	3.000	105	93.7	36.5	15.7	5	5.5
80	3.125	105	100.0	36.5	15.7	5	5.5
	3.250	110	100.0	36.5	15.7	5	5.5
85	3.375	110	103.3	36.5	15.7	5	5.5

40L with Vulcan type 24 DIN LONG seat, 40S with Vulcan type 24 DIN SHORT seat