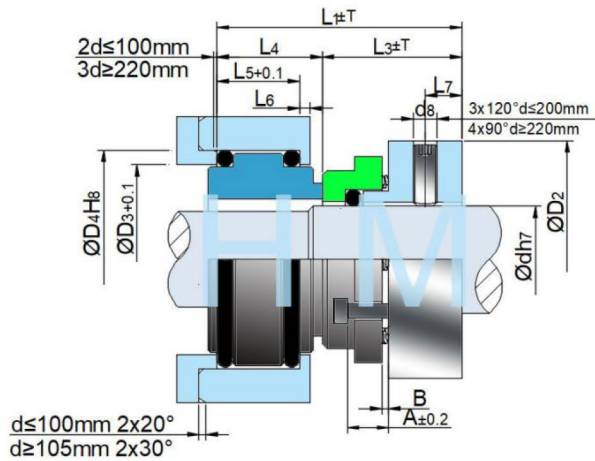


HMX25(AX25)



Type: Multi-Spring Mechanical Seal
Replacement: Burgmann AX25
Temperature: -40 to +220°C

Pressure: 16 Bar
Speed: ≤20m/s
Material: B,Q2,U2,P,E,N,V,F,G,Alfa

d (mm)	D1	D2	D3	d8	L1	L3	L4	L5	L6	L7	A	B	T
15	23	29	42	M6	48	31	17	12	2.0	8	12.0	2	0.5
16	24	30	43	M6	48	31	17	12	2.0	8	12.0	2	0.5
18	27	33	45	M6	48	31	17	12	2.0	8	12.0	2	0.5
20	29	35	47	M6	48	31	17	12	2.0	8	12.0	2	0.5
22	31	37	49	M6	48	31	17	12	2.0	8	12.0	2	0.5
24	33	39	51	M6	48	31	17	12	2.0	8	12.0	2	0.5
25	34	40	52	M6	48	31	17	12	2.0	8	12.0	2	0.5
28	37	43	55	M6	48	31	17	12	2.0	8	12.0	2	0.5
30	39	45	57	M6	48	31	17	12	2.0	8	12.0	2	0.5
32	42	48	59	M6	48	31	17	12	2.0	8	12.0	2	0.5
33	42	48	60	M6	48	31	17	12	2.0	8	12.0	2	0.5
35	44	50	62	M6	48	31	17	12	2.0	8	12.0	2	0.5
38	49	56	71	M8	52	33	19	14	2.0	8	13.5	2	0.5
40	51	58	73	M8	52	33	19	14	2.0	8	13.5	2	0.5
43	54	61	76	M8	52	33	19	14	2.0	8	13.5	2	0.5
45	56	63	78	M8	52	33	19	14	2.0	8	13.5	2	0.5
48	59	66	81	M8	52	33	19	14	2.0	8	13.5	2	0.5
50	62	70	83	M8	54	33	21	16	2.0	8	13.5	2	0.5
53	65	73	86	M8	54	33	21	16	2.0	8	13.5	2	0.5
55	67	75	88	M8	54	33	21	15	2.0	8	13.5	2	0.5
58	72	80	98	M10	63	41	22	16	2.5	10	15.0	2	1.0
60	75	83	100	M10	63	41	22	16	2.5	10	15.0	2	1.0
63	77	85	103	M10	63	41	22	16	2.5	10	15.0	2	1.0
65	81	90	105	M10	65	41	24	18	2.5	10	15.0	2	1.0
68	83	92	108	M10	65	41	24	18	2.5	10	15.0	2	1.0
70	88	97	111	M10	68	43	24	19	2.5	10	17.5	2	1.0
75	95	105	116	M10	68	43	25	19	2.5	10	17.5	2	1.0
80	100	110	121	M10	68	43	25	19	2.5	10	17.5	2	1.0
85	105	115	126	M10	68	43	25	19	2.5	10	17.5	2	1.0
90	110	120	131	M10	68	43	25	19	2.5	10	17.5	2	1.0
95	115	125	136	M10	68	43	25	19	2.5	10	17.5	2	1.0
100	120	130	141	M10	68	43	25	19	2.5	10	17.5	2	1.0
105	123	135	148	M10	75	47	28	22	2.5	10	21.0	3	2.0
110	128	140	153	M10	75	47	28	22	2.5	10	21.0	3	2.0
115	133	145	158	M10	75	47	28	22	2.5	10	21.0	3	2.0
120	140	152	171	M10	78	50	28	22	2.5	10	21.0	3	2.0