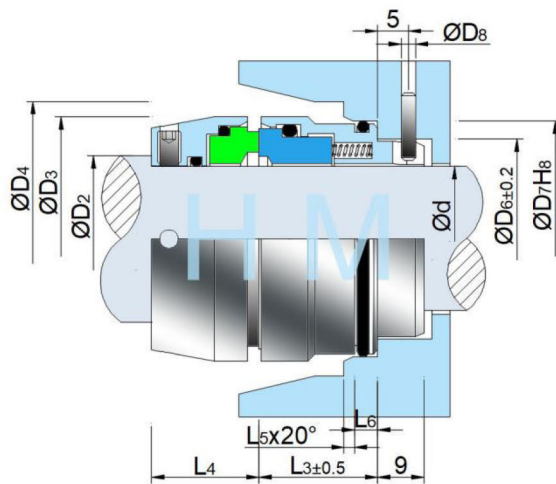


HMX40K(AX40K)



Type: Multi-Spring Mechanical Seal
 Replacement: Burgmann AX40K
 Temperature: -40 to +220°C
 Pressure: 25 Bar
 Speed: $\leq 20\text{m/s}$
 Material: B,Q2,U2,P,E,N,V,F,G,Alfa

d (mm)	D2	D3	D4	D6	D7	D8	L1 K	L3	L4	L5	L6
18	22	35	40	27	33	3	45.0	26.5	18.5	2.0	5
20	24	37	42	29	35	3	45.0	26.5	18.5	2.0	5
22	26	39	44	31	37	3	45.0	26.5	18.5	2.0	5
24	28	41	46	33	39	3	40.0	21.5	18.5	2.0	5
25	30	42	47	34	40	3	40.0	21.5	18.5	2.0	5
28	33	45	50	37	43	3	42.5	22.5	20.0	2.0	5
30	35	47	52	39	45	3	42.5	22.5	20.0	2.0	5
32	38	50	55	42	48	3	42.5	22.5	20.0	2.0	5
33	38	50	55	42	48	3	42.5	22.5	20.0	2.0	5
35	40	52	57	44	50	3	42.5	22.5	20.0	2.0	5
38	43	58	63	49	56	4	45.0	23.5	21.5	2.0	6
40	45	60	65	51	58	4	45.0	23.5	21.5	2.0	6
43	48	63	68	54	61	4	45.0	23.5	21.5	2.0	6
45	50	65	70	56	63	4	45.0	23.5	21.5	2.0	6
48	53	68	73	59	66	4	45.0	23.5	21.5	2.0	6
50	55	72	77	62	70	4	47.5	25.5	22.0	2.5	6
53	58	75	80	65	73	4	47.5	25.5	22.0	2.5	6
55	60	77	82	67	75	4	47.5	25.5	22.0	2.5	6
58	63	81	86	70	78	4	52.5	27.5	25.0	2.5	6
60	65	83	88	72	80	4	52.5	27.5	25.0	2.5	6
63	68	86	91	75	83	4	52.5	27.5	25.0	2.5	6
65	70	88	93	77	85	4	52.5	27.5	25.0	2.5	6
70	75	95	100	83	92	4	60.0	30.5	29.5	2.5	7
75	80	100	105	88	97	4	60.0	30.5	29.5	2.5	7
80	85	108	113	95	105	4	60.0	30.5	29.5	3.0	7
85	90	113	118	100	110	4	60.0	30.5	29.5	3.0	7
90	95	118	123	105	115	4	65.0	34	31.0	3.0	7
95	100	123	128	110	120	4	65.0	34	31.0	3.0	7
100	105	128	133	115	125	4	65.0	34	31.0	3.0	7