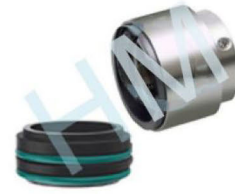
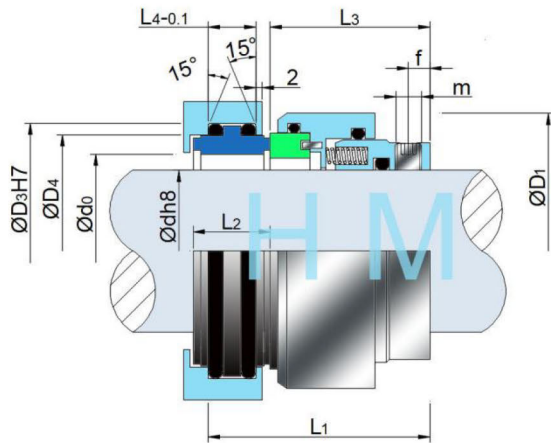


HMGH201



Type : Multi Spring Mechanical Seal
 Replacement: Burgmann HGH201
 Temperature: -20 to +150°C
 Pressure: $\leq 1.4\text{Mpa}$
 Speed: $\leq 15\text{m/s}$
 Material : B,A1,Q1,Q2,U2,P,E,N,V,F,G,Alfa

d (mm)	d0	D1	D3	D4	L1	L2	L3	L4	f	m
50	60	95	89.6	80.5	95.3	31.8	70	18.8	6	M8
55	65	100	94.6	85.5	95.3	31.8	70	18.8	6	M8
60	70	105	99.6	90.5	95.3	31.8	70	18.8	6	M8
65	75	110	104.6	95.5	95.3	31.8	70	18.8	6	M8
70	80	115	109.6	100.5	95.3	31.8	70	18.8	6	M8
75	85	120	114.6	105.5	95.3	31.8	70	18.8	6	M8
80	90	125	119.6	110.5	95.3	31.8	70	18.8	6	M8
85	95	130	124.6	115.5	95.3	31.8	70	18.8	6	M8
90	100	135	129.6	120.5	95.3	31.8	70	18.8	6	M8
95	105	140	134.6	125.5	95.3	31.8	70	18.8	6	M8
100	110	145	139.6	130.5	95.3	31.8	70	18.8	6	M8
105	115	150	144.6	135.5	95.3	31.8	70	18.8	6	M8
110	120	155	149.6	140.5	95.3	31.8	70	18.8	6	M8
115	125	160	154.6	145.5	95.3	31.8	70	18.8	6	M8
120	130	165	159.6	150.5	95.3	31.8	70	18.8	6	M8
125	135	170	164.6	155.5	95.3	31.8	70	18.8	6	M8
130	140	175	169.6	160.5	95.3	31.8	70	18.8	6	M8
135	145	180	174.6	165.5	95.3	31.8	70	18.8	6	M8
140	150	185	179.6	170.5	95.3	31.8	70	18.8	6	M8
145	155	190	184.6	175.5	95.3	31.8	70	18.8	6	M8
150	160	195	189.6	180.5	95.3	31.8	70	18.8	6	M8
155	165	200	194.6	185.5	95.3	31.8	70	18.8	6	M8
160	170	205	199.6	190.5	95.3	31.8	70	18.8	6	M8
165	175	210	204.6	195.5	95.3	31.8	70	18.8	6	M8
170	180	215	209.6	200.5	95.3	31.8	70	18.8	6	M8
175	185	220	214.6	205.5	95.3	31.8	70	18.8	6	M8
180	192	225	224.6	212.5	104.2	38.0	72	26.4	6	M8