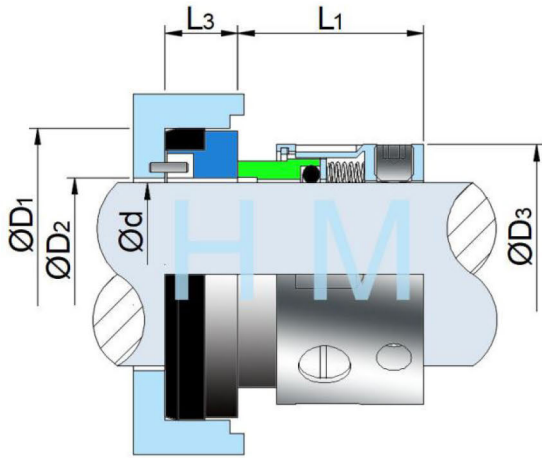


# HM8-1T



Type : Multi Spring Mechanical Seal  
 Replacement: Vulcan 1645S , AES M05S , Crane 8- 1T  
 Temperature: -20°C to +180°C  
 Pressure: ≤1.5Mpa  
 Speed: ≤15m/s  
 Material: V1,Q1,Q2,U2,B,A,P,E,V,M1,M2,F,G,M

Size (Inch)	d	D3	D2	D1	L1	L3
0.500	12.7	23.80	13.4	25.40	23.80	7.9
0.625	15.8	26.97	16.6	31.75	23.80	10.3
0.750	19.0	30.15	19.7	34.93	23.80	10.3
0.875	22.2	33.32	22.9	38.10	23.80	10.3
1.000	25.4	36.50	26.1	41.28	25.40	11.1
1.125	28.5	39.67	29.3	44.45	25.40	11.1
1.250	31.7	42.85	32.4	47.63	25.40	11.1
1.375	34.9	49.20	35.6	50.80	34.93	11.1
1.500	38.1	49.20	38.8	53.98	28.58	11.1
1.625	41.2	57.15	42.4	60.33	29.36	12.7
1.750	44.4	58.72	45.5	63.50	34.93	12.7
1.875	47.6	63.50	48.7	66.68	34.93	12.7
2.000	50.8	66.68	51.9	69.85	34.93	12.7
2.125	53.9	71.42	55.0	76.20	42.85	14.3
2.250	57.1	72.21	58.2	79.38	34.93	14.3
2.375	60.3	76.20	61.4	82.55	42.85	14.3
2.500	63.5	79.38	64.6	85.73	34.93	14.3
2.625	66.6	82.55	67.7	85.73	42.85	15.9
2.750	69.8	85.73	70.9	88.90	42.85	15.9
2.875	73.0	88.90	74.1	95.25	42.85	15.9
3.000	76.2	92.08	77.3	98.43	42.85	15.9
3.125	79.3	95.25	80.5	101.60	42.85	19.8
3.250	82.5	98.43	83.6	104.78	42.85	19.8
3.375	85.7	101.60	86.8	107.95	42.85	19.8
3.500	88.9	104.78	90.0	111.13	42.85	19.8
3.625	92.0	107.95	93.1	114.3	42.85	19.8
3.700	95.2	111.13	96.3	117.48	42.85	19.8
3.875	98.4	114.30	99.5	120.65	42.85	19.8
4.000	101.6	117.48	102.7	123.83	42.85	19.8