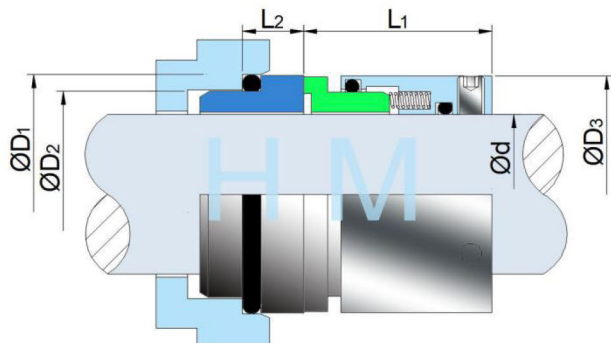


# HM91A



Type: Multi Spring Mechanical Seal  
 Temperature: -20°C to +180°C  
 Pressure:  $\leq 2.5$  Mpa  
 Speed:  $\leq 15$  m/s  
 Material: V1,Q1,Q2,U2,B,A,P,E,V,M1,M2,F,G,M

d (mm)	D1	D2	D3	L1	L2
18	33	27	32.28	30	7.5
20	35	29	34.29	30	7.5
22	37	31	36.30	30	7.5
24	39	33	38.30	30	7.5
25	40	34	39.29	30	7.5
28	43	37	42.29	35	7.5
30	45	39	44.30	35	7.5
32	48	42	46.30	35	7.5
33	48	42	47.90	35	7.5
35	50	44	49.48	35	7.5
38	56	49	54.28	35	9.0
40	58	51	56.08	35	9.0
43	61	54	59.08	35	9.0
45	63	56	61.09	35	9.0
48	66	59	64.11	35	9.0
50	70	62	66.09	35	9.5
53	73	65	71.00	35	11.0
55	75	67	71.07	35	11.0
60	80	72	77.14	35	11.0
65	85	77	83.01	35	11.0
68	90	81	91.00	35	11.3
70	92	83	86.08	35	11.3
75	97	88	98.43	48	11.3
80	105	95	104.79	48	12.0
85	110	100	107.95	48	12.0
90	115	105	114.30	48	14.0
100	125	115	123.83	48	14.0