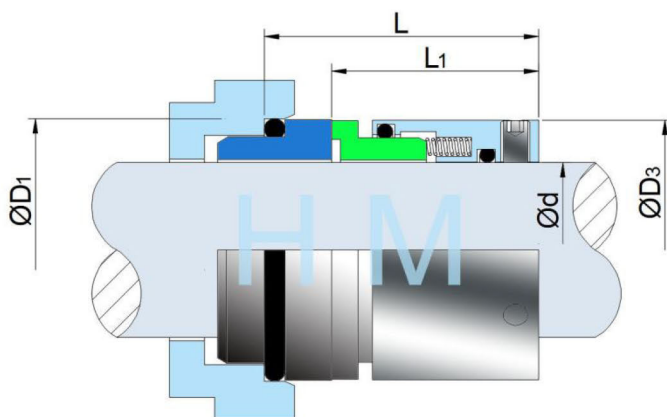


HM91B



Type: Multi Spring Mechanical Seal
 Temperature: -20°C to $+180^{\circ}\text{C}$
 Pressure: $\leq 2.5\text{Mpa}$
 Speed: $\leq 15\text{m/s}$
 Material: V1, Q1, Q2, U2, B, A, P, E, V, M1, M2, F, G, M

d (mm)	D3	D1 (DIN)	D1 (STAND)	L (DIN)	L (STAND)	L1
16	32	27	28.0	27.5	28.0	20.5
18	34	33	30.0	39.5	28.0	20.5
19	35	35	35.0	30.0	30.0	22.5
20	36	35	35.0	30.0	30.0	22.5
22	38	37	35.0	31.0	30.0	22.5
24	40	39	38.0	30.5	30.0	22.5
25	42	40	38.0	31.0	30.0	22.5
28	45	43	42.0	30.5	30.0	22.5
30	47	45	45.0	30.0	30.0	22.5
32	49	48	48.0	30.0	30.0	22.5
33	50	48	48.0	30.0	30.0	22.5
35	52	50	52.0	30.5	31.5	22.5
38	55	56	55.0	31.0	30.5	22.5
40	47	58	58.0	30.5	30.5	22.5
43	60	61	61.0	37.5	37.5	28.5
45	62	63	64.0	37.5	38.0	28.5
48	65	66	66.0	37.5	38.8	28.5
50	67	70	69.3	38.8	39.0	28.5
53	70	73	73.0	38.0	38.0	28.5
55	72	75	75.4	38.5	38.8	28.5
60	77	80	80.4	39.5	39.5	28.5
65	82	85	85.4	39.5	39.5	28.5
70	87	92	92.0	41.5	41.5	30.5
75	93	97	99.0	43.5	44.5	30.5
80	98	105	104.0	44.0	43.5	30.5
85	103	110	109.0	44.0	43.5	30.5
90	108	115	114.0	44.0	43.5	30.5
95	113	120	120.3	44.0	44.0	30.5
100	118	125	123.3	44.0	44.0	30.5