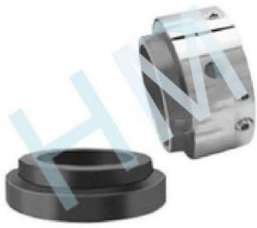
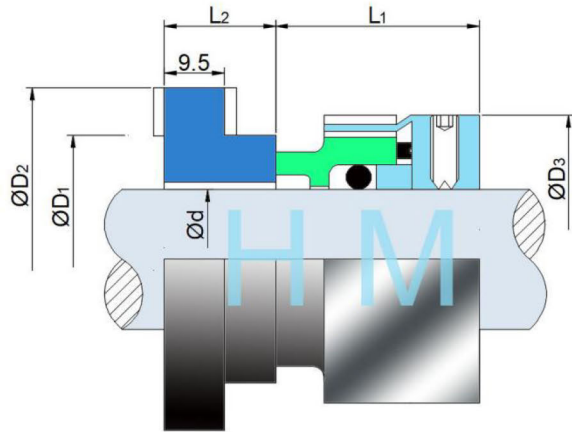


# HM740



Type: Multi Spring Mechanical Seal  
 Replacement: Chesterton 740  
 Temperature: -40 to +205°C  
 Pressure: ≤10 Bar  
 Speed: ≤12m/s  
 Material: B,Q2,U2,P,E,N,V,F,G,Alfa



d (mm/inch)	D1	D2	D3	L1	L2
25.00	41.1	53.2	48.5	31.75	15.9
1.000	41.1	53.2	48.5	31.75	15.9
28.00	44.5	56.4	52.0	31.75	15.9
1.125	44.5	56.4	52.0	31.75	15.9
30.00	47.5	59.5	55.0	31.75	15.9
32.00	47.5	59.5	55.0	31.75	15.9
1.250	47.5	59.5	55.0	31.75	15.9
33.00	50.7	61.1	58.0	31.75	15.9
1.375	50.7	61.1	58.0	31.75	15.9
35.00	50.7	61.1	58.0	31.75	15.9
1.500	50.7	61.1	58.0	31.75	15.9
38.00	57.0	69.1	61.0	31.75	15.9
1.500	57.0	69.1	61.0	31.75	15.9
40.00	60.2	72.2	64.0	31.75	15.9
1.625	60.2	72.2	64.0	31.75	15.9
43.00	63.4	78.6	67.5	31.75	15.9
1.750	63.4	78.6	67.5	31.75	15.9
45.00	63.4	78.6	67.5	31.75	15.9
1.875	63.4	78.6	67.5	31.75	15.9
48.00	66.5	81.8	70.5	31.75	15.9
1.875	66.5	81.8	70.5	31.75	15.9
50.00	69.7	88.1	74.0	31.75	15.9
2.000	69.7	88.1	74.0	31.75	15.9
53.00	72.9	94.5	77.0	31.75	15.9
2.125	72.9	94.5	77.0	31.75	15.9