

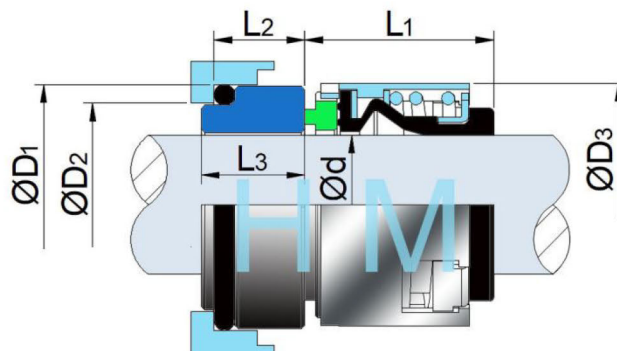


HM502S



hengmi@mesel.com

Type : Multi Spring Mechanical Seal, Suit for Alfa
 Laval ALC(D Series) Pumps
 Replacement: AES B07S , Vulcan 502/BO
 Temperature: -20°C to +120°C
 Pressure: $\leq 2.5\text{Mpa}$
 Speed: $\leq 15\text{m/s}$
 Material: Q1,Q2,V,K,E,P,G,M5,M6,T4



d (mm)	D1	D2	D3	L1	L2	L3
14	25	21	24	23.0	12.0	12.8
16	27	23	26	23.0	12.0	12.8
18	33	27	32	24.0	13.5	14.5
20	35	29	34	24.0	13.5	14.5
22	37	31	36	24.0	13.5	14.5
24	39	33	38	26.7	13.3	14.3
25	40	34	39	27.0	13.0	14.0
28	43	37	42	30.0	12.5	13.5
30	45	39	44	30.5	12.0	13.0
32	48	42	46	30.5	12.0	13.0
33	48	42	47	30.5	12.0	13.0
35	50	44	49	30.5	12.0	13.0
38	56	49	54	32.0	13.0	14.0
40	58	51	56	32.0	13.0	14.0
43	61	54	59	32.0	13.0	14.0
45	63	56	61	32.0	13.0	14.0
48	66	59	64	32.0	13.0	14.0
50	70	62	66	34.0	13.5	14.5
53	73	65	69	34.0	13.5	14.5
55	75	67	71	34.0	13.5	14.5
58	78	70	78	39.0	13.5	14.2
60	80	72	80	39.0	13.5	14.2
63	83	75	83	39.0	13.5	14.2
65	85	77	85	39.0	13.5	14.2
68	90	81	88	39.0	13.5	14.2
70	92	83	89	45.5	14.5	15.2
75	97	88	96	45.5	14.5	15.2
80	105	95	104	45.0	15.0	15.7
85	110	100	108	45.0	15.0	15.7
90	115	105	114	50.0	15.0	15.7
95	120	110	118	50.0	15.0	15.7
100	125	115	124	50.0	15.0	15.7