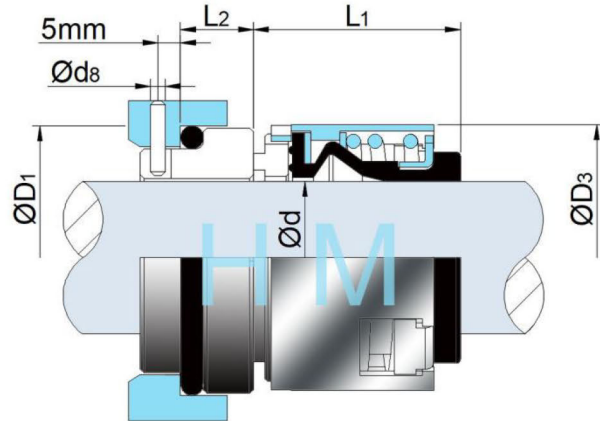


HM502L



hengmi@meseal.com

Type: Multi Spring Mechanical Seal, Suit for Grundfos, Hilge Pumps
 Replacement: AES B07SL , Vulcan 502/BP
 Temperature: -20°C to +120°C
 Pressure: ≤2.5Mpa
 Speed: ≤15m/s
 Material: A,Q1,Q2,U2,P,E,V,F,G



d (mm)	D1	D3	d8	L1	L2
12	23	22.0	3	23.9	8.6
14	25	24.0	3	26.4	8.6
16	27	26.2	3	26.4	8.6
18	33	32.2	3	27.5	10.0
20	35	33.9	3	27.5	10.0
22	37	36.1	3	27.5	10.0
24	39	38.1	3	30.0	10.0
25	40	38.8	3	30.0	10.0
28	43	42.1	3	32.5	10.0
30	45	44.2	3	32.5	10.0
32	48	45.8	3	32.5	10.0
33	48	46.9	3	32.5	10.0
35	50	48.8	3	32.5	10.0
38	56	54.2	4	34.0	11.0
40	58	56.1	4	34.0	11.0
43	61	58.8	4	34.0	11.0
45	63	60.9	4	34.0	11.0
48	66	64.1	4	34.0	11.0
50	70	66.2	4	34.5	13.0
53	73	69.1	4	34.5	13.0
55	75	71.1	4	34.5	13.0
58	78	78.2	4	39.5	13.0
60	80	79.9	4	39.5	13.0
63	83	82.8	4	39.5	13.0
65	85	85.1	4	39.5	13.0
70	92	90.0	4	44.7	15.3
75	97	97.0	4	44.7	15.3
80	105	104.0	4	44.3	15.7
85	110	108.0	4	44.3	15.7
90	115	114.0	4	49.3	15.7
95	120	118.0	4	49.3	15.7
100	125	124.0	4	49.3	15.7