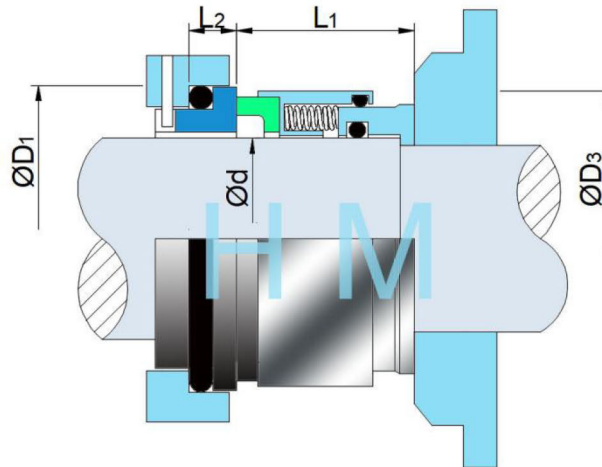


# HMM010S4



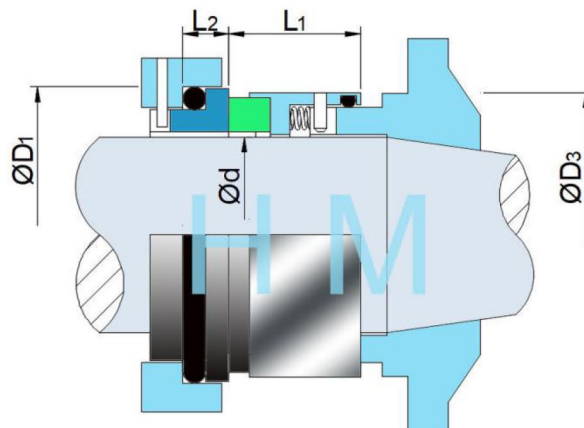
HMM010S4(AES M010S4,  
Burgmann SHJ92S9)

Type: Multi-Spring Mechanical Seal  
 Replacement: AES M010S4, Burgmann  
 SHJ92S9/SHJ97GS9  
 Temperature: -20 to +180°C  
 Pressure:  $\leq 2.5\text{Mpa}$   
 Speed:  $\leq 15\text{m/s}$   
 Material: B,A1,Q1,Q2,U2,P,E,N,V,F,G,Alfa



d		D1		D3		L1		L2	
mm	inch	mm	inch	mm	inch	mm	inch	mm	inch
30	1.181	45	1.772	44	1.732	32.0	1.26	7.5	0.295
35	1.378	50	1.969	49	1.929	39.9	1.571	7.8	0.295

HMM010S4-B(AES M010S4/TypeB,  
Burgmann SHJ92GS9)



d		D1		D3		L1		L2	
mm	inch	mm	inch	mm	inch	mm	inch	mm	inch
25	0.984	40	1.575	38.8	1.528	24.5	0.965	7.0	0.276
30	1.181	45	1.772	43.7	1.720	27.1	1.067	7.6	0.299